

Booms

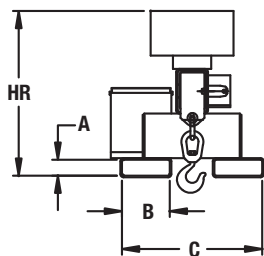
Precision Lifting Boom

Quickly turns your fork lift into a portable crane.

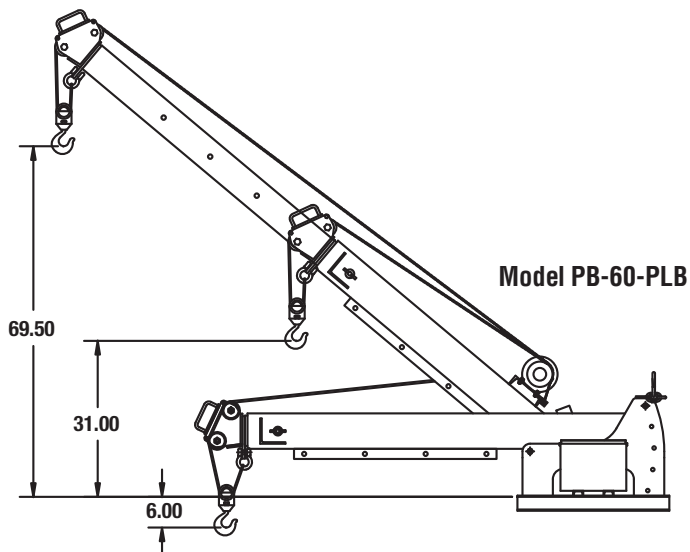
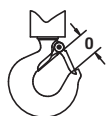


PRODUCT FEATURES:

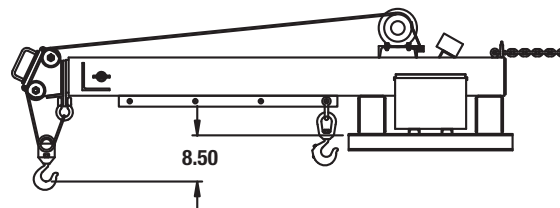
- Portable, compact and versatile lifting.
- Fits standard fork lift truck.
- Hook travels approximately 20'.
- Adjusts both horizontally and vertically.
- Restraining chain with grab hooks.
- Completely self contained 12Volt DC power supply.
- 100 AMP Hour Battery with charger.
- Easy to use toggle button control with standard 12' cord.
- Hoist hook speed averages 7.5 FPM.



Fork Pocket Configuration
All Models



Model PB-60-PLB



Model FB-60-PLB

**QUICKSHIP
PROGRAM**

SPECIFICATIONS

Model Number	Dimensions (in.)					Maximum Capacity (lbs.)		Weight (lbs.)
	A	B	C	HR	O	Boom Hook	Lifting Hook	
						3'-6'	7'-12'	
PB-60-PLB	2.50	7.50	22.50	28.25	1.36	6000	2400	620
FB-60-PLB	2.50	7.50	22.50	26.00	1.36	6000	2400	590