

# Chassis Master™

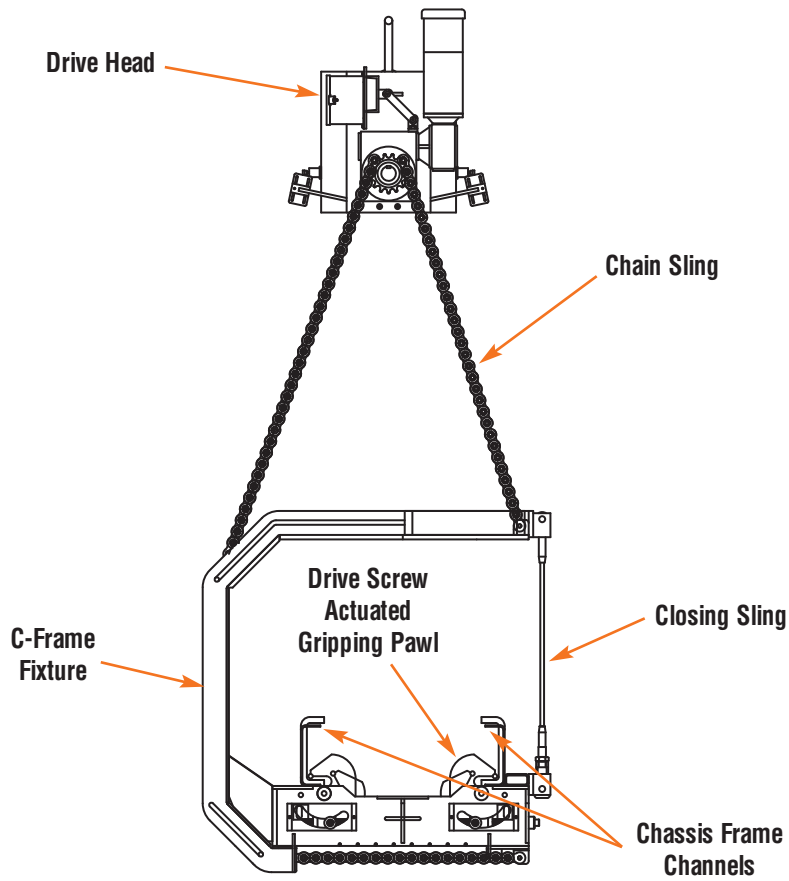
## Chassis Master™

The ideal system for inverting truck/bus chassis after suspension installation. Custom designed fixtures clamp to chassis "C-Rails" and contain center of gravity within the turning radius, thus creating a smooth transition. Independent drives allow fixtures to be positioned to the desired location on the chassis.



# Chassis Master™

To learn how a Chassis Master™ can save you time and money, contact us with your application requirement and chassis information.



Products pictures here are a representation of a specific design. The Chassis Master™ we design for you will be specific to your application and may not look exactly as pictured.