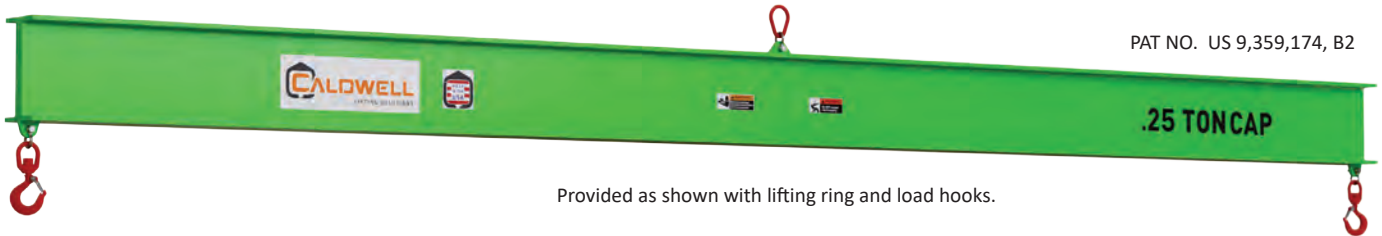


Dura-Lite™ Model 419

Composite Fixed-Spread Lifting Beam



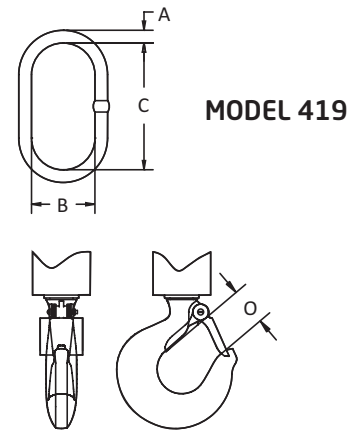
PAT NO. US 9,359,174, B2

Provided as shown with lifting ring and load hooks.

Dura-Lite Model 419 is the composite version of Caldwell's Model 19 (sold on page 12). Choose from 1/4- to 3-ton capacities.

Product Features:

- Lightweight beam gives you additional load capacity while protecting riggers' backs
- Non-conductive; corrosion-resistant material won't rust
- 1/4- to 3-ton capacities
- Complies with ASME B30.20, design category B, service class 4
- Proof tested with certificate issued
- DURA-LITE™ product is compliant with European Community standards CE



Capacity Metric Tons (Kg.)	Model Number	Spread		Headroom		Beam Only Weight		Weight With Hardware		Bail Dimension Inches (mm)			Hook
		Inches	Meters	Inches	Meters	Inches	Kilograms	Pounds	Kilograms	A	B	C	
1/4 (250)	419-1/4-2	24	0.6	13.5	0.3	6	2.7	8	3.6	0.38 (9)	1.5 (38)	2 (51)	0.89 (22)
	419-1/4-3	36	0.9	13.5	0.3	8	3.6	10	4.5				
	419-1/4-4	48	1.2	13.5	0.3	10	4.5	12	5.4				
	419-1/4-6	72	1.8	16.5	0.4	23	10.4	25	11.3				
	419-1/4-8	96	2.4	16.5	0.4	30	13.6	32	14.5				
	419-1/4-10	120	3.0	18.5	0.5	69	22.2	71	23.1				
419-1/4-12	144	3.7	18.5	0.5	82	46.7	105	47.6					
1/2 (500)	419-1/2-2	24	0.6	13.9	0.4	7	3.2	9	4.1	0.38 (9)	1.5 (38)	1.9 (48)	0.89 (22)
	419-1/2-3	36	0.9	13.9	0.4	9	4.1	11	5.0				
	419-1/2-4	48	1.2	14.9	0.4	12	5.4	14	6.4				
	419-1/2-6	72	1.8	16.9	0.4	25	11.3	27	12.2				
	419-1/2-8	96	2.4	18.9	0.5	58	19.1	60	20.0				
	419-1/2-10	120	3.0	18.9	0.5	77	34.9	79	35.8				
1 (1000)	419-1-2	24	0.6	19.6	0.5	9	4.1	15	6.8	0.62 (16)	2.8 (71)	4.5 (114)	0.89 (23)
	419-1-3	36	0.9	19.6	0.5	11	5.0	17	7.7				
	419-1-4	48	1.2	21.6	0.5	19	8.6	25	11.3				
	419-1-6	72	1.8	23.6	0.6	46	15.4	51	17.7				
	419-1-8	96	2.4	23.6	0.6	62	28.1	67	30.4				
2 (2000)	419-2-2	24	0.6	21.9	0.6	15	6.8	24	10.9	0.62 (16)	2.8 (71)	4.3 (110)	0.91 (23)
	419-2-3	36	0.9	24.1	0.6	24	10.9	33	15.0				
	419-2-4	48	1.2	25.9	0.7	43	20.9	52	25.4				
	419-2-6	72	1.8	25.9	0.7	55	27.2	64	31.3				
3 (3000)	419-3-2	24	0.6	24.9	0.6	21	9.5	32	14.5	0.62 (16)	2.8 (71)	4.3 (110)	1 (25)
	419-3-3	36	0.9	24.9	0.6	24	10.9	35	15.9				
	419-3-4	48	1.2	26.6	0.7	43	20.9	53	26.3				

As Strong As Steel?

Watch the Dura-Lite Destruction Test

We test a 640-lb. spreader beam with a 120" spread at a Yarbrough Cable facility ... just to see what happens! Can you guess?

<https://bit.ly/duralite>

