

Model 74P

Roll-Gripping Tongs

Used to grip the O.D. of a roll. The diameter range can vary up to 25%. Used to grip the O.D. of a roll. The diameter range can vary up to 25%. A double-leg design will provide additional roll stability. However, single-leg models are available for narrower rolls. Double-leg tongs recommended for rolls wider than 48".

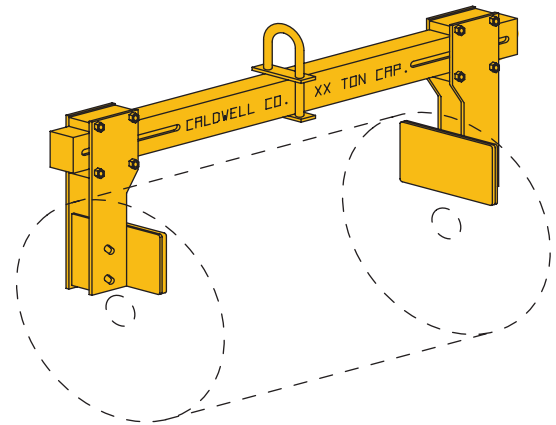
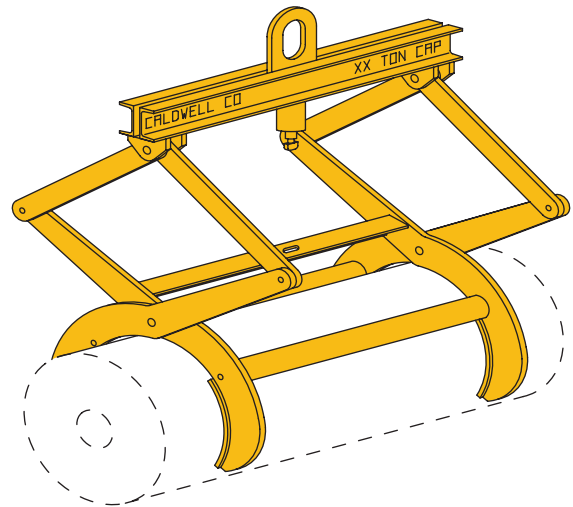
Product Features:

- Automatic latching mechanism for single-person operation
- Optional tong saddles with protective covering to prevent roll damage are available
- Product capacity for Double-Leg: 4 ton
- Product capacity for Single-Leg: 2-1/2 ton



ORDER TODAY!

This product is customizable. To get exactly what you want, please call us at [800.628.4263](tel:800.628.4263).



Model 75P

Roll Grabs

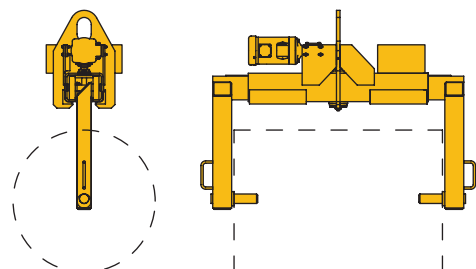
Used for side lifting of rolls by gripping on the ends. A wide range of roll lengths or widths can be accommodated. Standard motorization allows for fast and easy adjustment to handle various load sizes. Manual units are available.

Product Capacities: To 5 ton



ORDER TODAY!

This product is customizable. To get exactly what you want, please call us at [800.628.4263](tel:800.628.4263).



Model 85P

Motorized Roll Lifters

Used to lift rolls by positioning lifting pins in the I.D. of the roll. Arms move in and out to clear and lift roll. This model will handle a variety of widths with minimal aisle clearance requirements. Motorization is recommended; however, chainwheel operation is available.

Product Capacities: To 10 ton



ORDER TODAY!

This product is customizable. To get exactly what you want, please call us at [800.628.4263](tel:800.628.4263).