

Model 90ACL

Adjustable Load Pallet Lifter

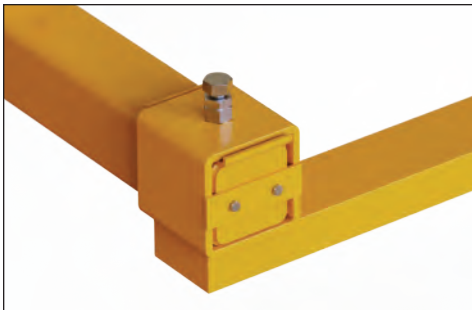
Adjustable bail provides balanced handling of items with different load centers.

Product Features:

- Once the bail pin is set, the pallet lifter remains balanced whether full or empty to make the job faster and safer
- Adjustable throat allows for the correct handling of higher stacked loads
- Adjustable forks allow for proper placement of the fork spread
- The auto-return bail automatically levels empty pallet lifter saving time and effort
- Heavy-duty construction for years of trouble-free service
- Complies with ASME standards



PRODUCT DETAILS

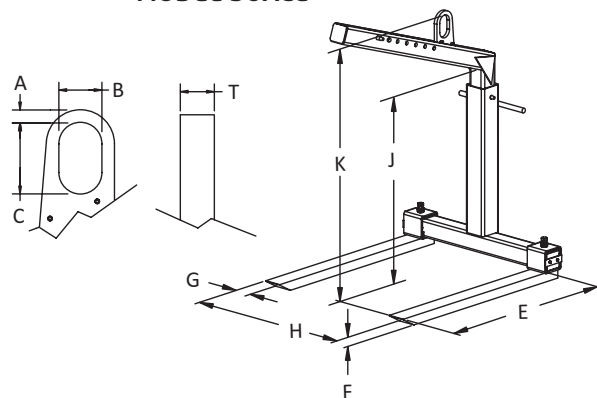


Close-up of adjustable fork



Bail stop pin

MODEL 90ACL



Model Number	Rated Capacity (tons)	Dimensions (in.)																	Weight (lbs.)	
		Fork				Bail				Throat			HR Headroom (at min. throat)		HR Headroom (at mid throat)		HR Headroom (at max. throat)			
		E	F	G	H		A	B	C	T	J			K		K		K		
					Min.	Max.					Min.	Mid	Max.	Min.	Max.	Min.	Max.	Min.		Max.
90ACL-2	2	43	2	4	16	36	.88	3	5	0.75	40.68	52.68	64.18	54.88	60.68	66.63	72.44	78.38	84.18	515

IN STOCK