

Model 20

Low-Headroom Multiple-Spread Lifting Beam



Versatility is the name of the game with the Model 20 Low-Headroom Multiple-Spread Lifting Beam. Used across the country in manufacturing and industrial applications, it's a favorite on construction sites, too.

With a few dozen standard spreads, lengths and capacities, you're likely to find an economical solution that fits your use. But if you need a multiple-spread or heavy-duty option, see pages 16-19.

And, if none of those work for your specific lift, let us know. We can customize one just for you.

Product Features:

- Beams over 6' and longer have 3 spreads
- 3' & 4' beams have 2 spreads
- Swivel hooks with hook latches standard
- Wide range of sizes and capacities available
- Complies with ASME standards

Standard Feature:

- Three spreads to adjust to the load
 - Outside spread
 - Middle spread (outside less 1')
 - Inside spread (outside less 2')

Product Option:

- Recommend faspins (Option B) if frequent hook position changes (spread) are required.

Capacity (tons)	Model Number HR Headroom (in.) Weight (lbs.)	Outside Spread (feet)			
		3	4	6	
1/2	Model Number	20-1/2-3	20-1/2-4	20-1/2-6	
	HR Headroom	12-3/4	12-3/4	12-3/4	
1	Model Number	20-1-3	20-1-4	20-1-6	
	HR Headroom	12-3/4	12-3/4	13-3/4	
2	Model Number	20-2-3	20-2-4	20-2-6	
	HR Headroom	13-3/4	13-3/4	14-3/4	
3	Model Number	20-3-3	20-3-4	20-3-6	
	HR Headroom	15-1/4	15-1/4	16-1/4	
5	Model Number	20-5-3	20-5-4	20-5-6	
	HR Headroom	19-1/2	20-1/2	21-1/2	
7-1/2	Model Number	20-7 1/2-3	20-7 1/2-4	20-7 1/2-6	
	HR Headroom	22-1/2	23-1/2	25-1/4	
10	Model Number	20-10-3	20-10-4	20-10-6	
	HR Headroom	23-1/4	25-1/4	27-1/4	
15	Model Number	20-15-3	20-15-4	20-15-6	
	HR Headroom	28-1/2	30-1/2	30-1/2	
20	Model Number	20-20-3	20-20-4	20-20-6	
	HR Headroom	38-3/4	38-3/4	38-3/4	
25	Model Number		20-25-4	20-25-6	
	HR Headroom		41-3/8	41-3/8	
30	Model Number		20-30-4	20-30-6	
	HR Headroom		45-1/2	45-1/2	
40	Model Number		20-40-4	20-40-6	
	HR Headroom		44-3/4	47-3/4	
	Weight		600	930	

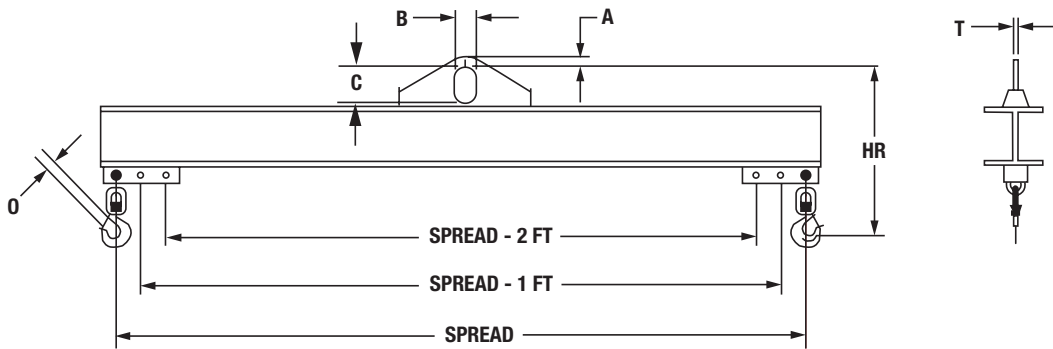
Other sizes available, consult factory.

Show Us Your Model 20

Send us a photo of your Model 20 Low-Headroom Beam in use and we'll send you a Caldwell can cooler. Email images to: marketing@caldwellinc.com



MODEL 20H



See pages 14 and 15 for these capacities and sizes.

Outside Spread (feet)										Other Dimensions (in.)	
14	16	18	20	24	30	34	38	42			
					20H-1-30 24 1250	20H-1-34 24 1605	20H-1-38 24 2120	20H-1-42 26 2810	A=7/8 B=3 C=5	T=3/4 O=7/8	
					20H-2-30 24 1560	20H-2-34 24 2130	20H-2-38 24.50 2680	20H-2-42 26.50 3410	A=1-1/2 B=3 C=5	T=1 O=7/8	
					20H-3-30 27.25 1840	20H-3-34 27.25 2070	20H-3-38 27.50 3110	20H-3-42 29 3890	A=1-1/2 B=3 C=5	T=1 O=1	
					20H-5-30 32 2325	20H-5-34 32 3130	20H-5-38 34 3950	20H-5-42 34 4760	A=2 B=4 C=7	T=1-1/4 O=1-3/8	
			20H-7 1/2-20 34.75 1325	20H-7 1/2-24 34.75 1890	20H-7 1/2-30 35 2790	20H-7.5-34 36.75 3560	20H-7.5-38 37 4760	20H-7.5-42 37 5730	A=2 B=4 C=7	T=1-1/4 O=1-5/8	
			20H-10-20 35.75 1500	20H-10-24 36 2100	20H-10-30 37.75 3190	20H-10-34 38 4300	20H-10-38 38 5230	20H-10-42 38.50 6910	A=2 B=4 C=7	T=1-1/4 O=1-5/8	
	20H-15-16 41.50 1350	20H-15-18 41.75 1610	20H-15-20 42 1915	20H-15-24 41.50 2340	20H-15-30 42.25 4255	20H-15-34 42.25 "5,224"	20H-15-38 42.50 6340	20H-15-42 43 8420	A=2-1/2 B=5 C=9	T=1-1/2 O=2-1/16	
20H-20-14 45.75 1210	20H-20-16 46 1510	20H-20-18 46.25 1885	20H-20-20 48 2225	20H-20-24 48.50 3155	20H-20-30 49.25 5040	20H-20-34 49.25 6250	20H-20-38 55.25 8170	20H-20-42 55.50 9930	A=2-3/4 B=5 C=9	T=1-1/2 O=2-1/4	
20H-25-14 55.75 1430	20H-25-16 55 1780	20H-25-18 56.75 2110	20H-25-20 59.75 2590	20H-25-24 60 3545	20H-25-30 60.75 5380	20H-25-34 64 7425	20H-25-38 64.50 9100	20H-25-42 67.25 11235	A=3 B=6 C=12	T=1-3/4 O=2-1/4	
20H-30-14 61.75 1695	20H-30-16 62 2050	20H-30-18 67.50 2380	20H-30-20 67.75 2850	20H-30-24 68 4040	20H-30-30 73.75 5725	20H-30-34 71.75 7930	20H-30-38 69.75 10100	20H-30-42 70 12300	A=3-1/2 B=7 C=16	T=2 O=2-1/4	
20H-40-14 72 2220	20H-40-16 74.75 2400	20H-40-18 75 3100	20H-40-20 78 3680	20H-40-24 81 4920	20H-40-30 84.25 6810	20H-40-34 77 9310	20H-40-38 80 11500	20H-40-42 83 14510	A=3-1/2 B=7 C=16	T=2-1/2 O=3	

PRODUCT OPTIONS



OPTION A
Extra Holes or Different Placement of Holes

Allows multiple hook positioning beyond standard 3 spreads. Specify number and spread(s) required.

OPTION B
Extra Shackles and Swivel Hooks

Allows for multiple pick points or eliminates the need to move hardware for different size loads.



OPTION C
Built In Stand

Keeps beam upright for easy crane hook attachment (pictured above).