

# Model BC

## Beam Clamp



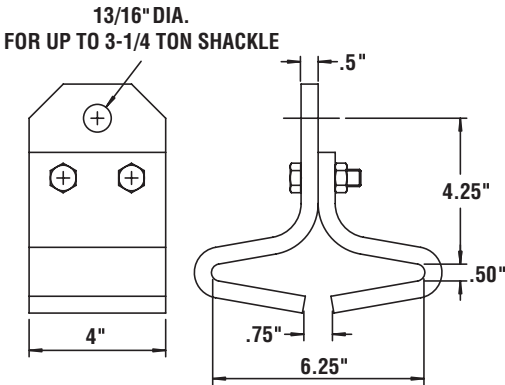
Sometimes you don't need a bunch of bells and whistles. You just need a piece of equipment that shows up every day and does its job flawlessly with no complaints and no complications. That's what you get with the **Model BC Beam Clamp**.

**Product Features:**

- Rated load capacity of 1-ton
- Economical and convenient
- Lightweight and portable design, high strength construction
- Use only for vertical lifting
- Complies with ASME standards



**MODEL BC**



Model Number	Rated Capacity (tons)	Flange		Weight (lbs.)
		Min. (in.)	Max. (in.)	
55 - 1	1	4	6	10

Shackle not included (13/16" dia. hole for up to 3-1/4 ton shackle).

**In Stock** - Items with green model numbers ship in 48 hours, excluding weekends and holidays.

**PRODUCT APPLICATIONS**



For lifting and positioning structural beams. Can be used in pairs in conjunction with a spreader beam for additional versatility.



Allows for the capability of hanging hoists or rigging from an overhead load bearing structure.