

# Model RLT

## Rail Tongs



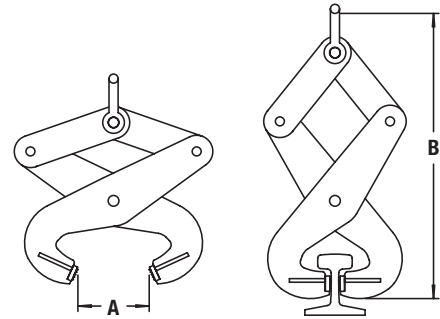
Tongs adjust automatically to lift any size rails. Choose from 1- or 2-ton capacities.

**Product Features:**

- Rail Tongs are designed to handle all standard size rails
- Tongs are provided with non-slip machined diamond face gripping pads
- Load must be balanced and controlled when lifting
- Complies with ASME standards



MODEL RLT



Model Number	Rated Capacity (tons)	A (in.)	B (in.)	Handles Std. ASCE Rail (# per yard)	Weight (lbs.)
109 - 1	1	3	18	30 & 40	15
109 - 2	2	5	20	50 - 100	18

**In Stock** - Items with green model numbers ship in 48 hours, excluding weekends and holidays.

# Model ST

## Slab Tongs



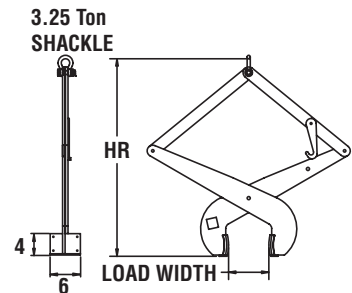
When you need to ensure there will be no marring of the surface on concrete, stone, metal or other expensive or more delicate loads, the polyurethane gripping surfaces on the **Model ST Slab Tongs** have your back.

**Product Features:**

- Designed for lifting dry slabs of concrete, stone, or metal that must be protected from scratching or marring
- Use in construction work to position slabs
- The curved pads give proper contact for gripping smooth surfaces and handling a large range of sizes
- Polyurethane gripping surfaces are standard
- A manual latch is standard and locks the tong arms for easy placement on the load
- Complies with ASME standards



MODEL ST



Model Number	Rated Capacity (lbs.)	Load Width (in.) Min. - Max.	HR Headroom (in.) Min. - Max.	Weight (lbs.)
71-0	1000	1 - 6	31.30 - 39.58	65
71-1	1000	6 - 10	29 - 41	75
71-2	1500	8 - 12	23.4 - 34.9	85
71-3	1500	10 - 14	28.6 - 41.2	145
71-4	1500	14 - 18	36.8 - 49.8	145
71-5	1500	18 - 22	45.4 - 60.1	150

**In Stock** - Items with green model numbers ship in 48 hours, excluding weekends and holidays.