

# Model C&S

## Pipe Grabs



Excellent for cast iron, steel pipe, tubing, and other cylindrical objects.

### Product Features:

- Heavy-duty automatic clamping design
- Outriggers stabilize the pipe during lift
- No blocking is required
- The operator only has to guide the clamp into place
- Pipes are handled quickly and efficiently when properly balanced
- Pipe grab sizes listed handle ASA cast iron pipe - standard, extra strong, and double strong (all have same O.D.)
- Complies with ASME standards



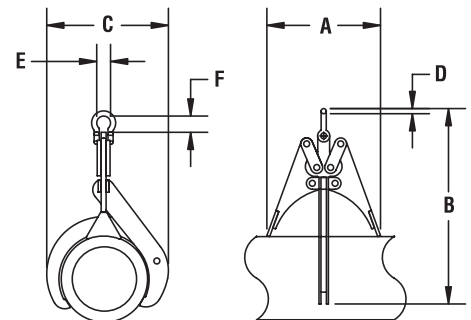
**⚠ WARNING**

The lifter shall not touch obstructions during load movement.  
The load or lifter shall not be slid on the floor or other surface.

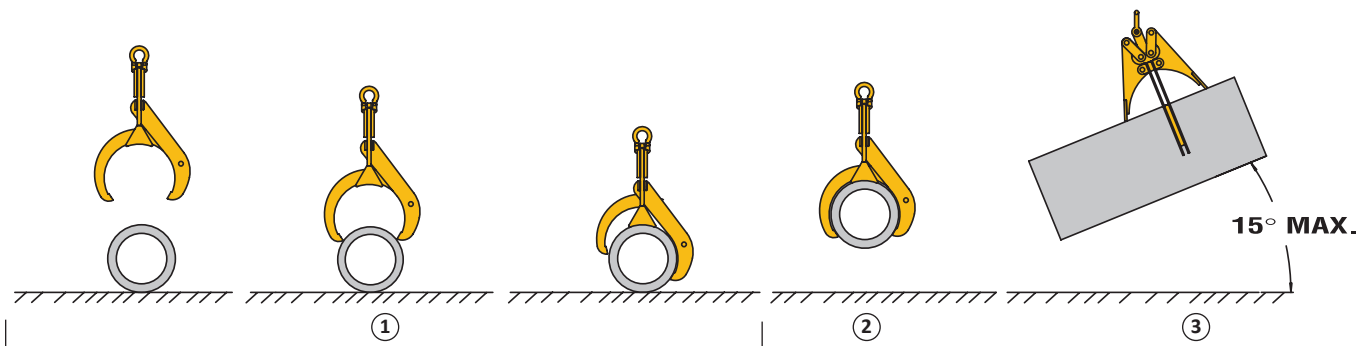
MODEL C&S

Rated Capacity (lbs.)	Cast Iron		Steel		Dimensions (inches)						Weight (lbs.)
	Model Number	Pipe O.D. (in.)	Model Number	Pipe O.D. (in.)	A	B	C	D	E	F	
450	C-3	4.0	S-3	3.5	5	10	6	.38	1.03	1.44	7
600	C-4	4.8	S-4	4.5	8	14	7	.44	1.16	1.69	9
1000	C-6	6.9	S-6	6.63	11	17	11	.50	1.31	1.88	15
1400	C-8	9.05	S-8	8.63	13	22	14	.50	1.31	1.88	25
2000	C-10	11.1	S-10	10.75	15	27	17	.63	1.69	2.38	47
2500	C-12	13.2	S-12	12.75	18	32	20	.63	1.69	2.38	72
3500	C-14	15.3	S-14	14.0	22	38	23	.88	2.28	3.31	105

**In Stock** - Items with green model numbers ship in 48 hours, excluding weekends and holidays.



## PRODUCT OPERATION



1. Lower the grab and place on pipe. As rope is loosened, grab will open and seat on pipe.

2. Lift slowly with grab engaged to check for balance.

3. Load should be level when transported. Maximum of 15° angle when positioning pipe.