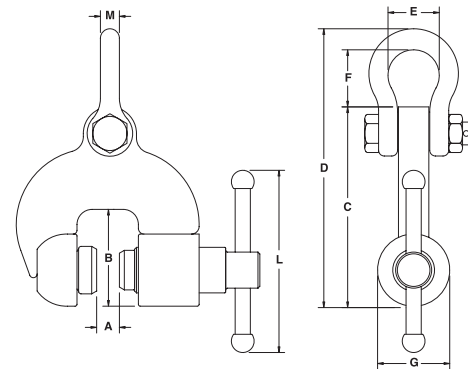
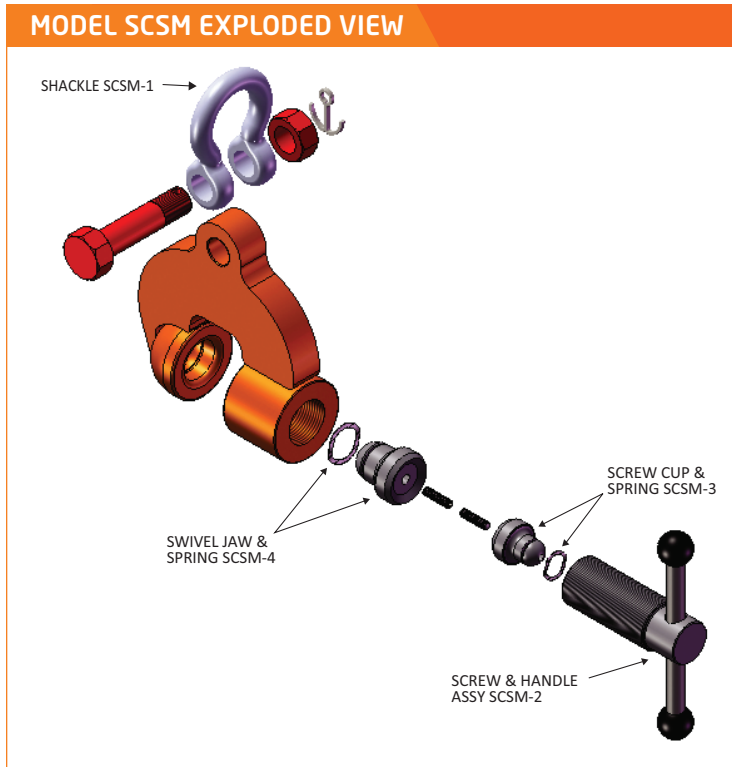


Model SCSM

Locking, Screw Type

The **Model SCSM** is a locking screw clamp capable of handling a steel plate from horizontal to vertical to horizontal through a 180° arc. It is a lightweight clamp primarily used for bench work. It is capable of handling up to a 2,000 lbs. load.



MODEL SCSM SPECIFICATIONS (in inches)

Part Number	Plate Thickness A	B	C	D	E	F	G	L	M	Weight (lbs.)
1 Tons Capacity										
SCSM-01.00-A	0 – 3/4	3-1/4	6-5/8	9-3/16	1-11/16	1-7/8	2-1/2	6	5/8	12

Consult factory for possible larger capacities. SPECIFICATIONS ARE SUBJECT TO CHANGE WITHOUT NOTICE.

Make Inspections Easier with Free, Printable Forms

Visual inspections are to be performed by clamp operators before and after every lift, and operators and other designated persons are also required to complete additional inspections, timed according to the clamp's service class.

Get free downloadable inspection forms at caldwellinc.com. Simply search your clamp model and open the Support & Documents drop-down menu to find the printable PDFs.

SUPPORT & DOCUMENTS

- Download Catalog
- Download Manual
- Lifting Clamp Survey Report
- Lifting Tool Inventory and Maintenance Form
- Minimum Recommended Clamp Inspections

