

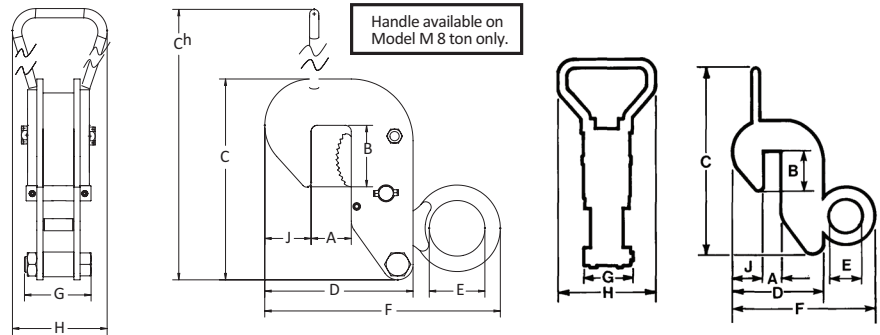
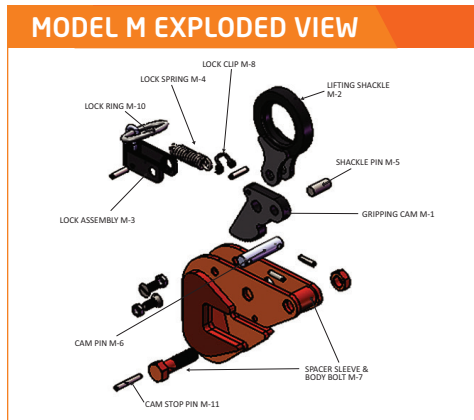
# Model M

## Locking Type

The **Model M** is a multipurpose clamp used for positioning, sorting, erection and handling of prefabricated sections. The split lower jaw enables the clamp to be particularly useful in handling structural shapes. The Model M incorporates a "Lock Closed" feature which facilitates attaching the clamp to the member being lifted. These clamps must be used in pairs, sets of pairs, or in a tripod arrangement for transporting plate horizontally. Handle is available on 8-ton clamp only.



Versatile clamp used for horizontal lifts of an I beam in both the I or H position.



### MODEL M SPECIFICATIONS (in inches)

Part Number	Plate Thickness A	B	C	C <sup>h</sup>	D	Max. E	F	G	H	J	Weight (lbs.)
<b>1/2 Tons Capacity</b>											
<b>IN STOCK</b> M-00.50-A	0 – 1	2-5/16	7-7/16	–	4-11/16	2-1/4	8-7/8	2-5/8	–	1-7/16	7
M-00.50-B	3/4 – 1-1/2	2-5/16	7-7/16	–	5-3/16	2-1/4	9-3/8	2-5/8	–	1-7/16	8
M-00.50-C	1-1/4 – 2	2-5/16	7-7/16	–	5-11/16	2-1/4	9-7/8	2-5/8	–	1-7/16	9
<b>1 Tons Capacity</b>											
<b>IN STOCK</b> M-01.00-A	0 – 1	2-1/2	8-1/8	–	5-1/2	2-1/4	9-1/2	2-3/4	–	1-7/8	11
M-01.00-B	3/4 – 1-1/2	2-1/2	8-1/8	–	6	2-1/4	10	2-3/4	–	1-7/8	12
M-01.00-C	1-1/4 – 2	2-1/2	8-1/8	–	6-1/2	2-1/4	10-1/2	2-3/4	–	1-7/8	13
<b>2 Tons Capacity</b>											
<b>IN STOCK</b> M-02.00-A	0 – 1-1/4	3-3/16	10-3/4	–	6-9/16	3-1/16	12-1/8	3-7/8	–	2	23
M-02.00-B	1 – 2	3-3/16	10-3/4	–	7-3/16	3-1/16	12-7/8	3-7/8	–	2	24
M-02.00-C	1-3/4 – 2-3/4	3-3/16	10-3/4	–	7-15/16	3-1/16	13-5/8	3-7/8	–	2	27
<b>4 Tons Capacity</b>											
<b>IN STOCK</b> M-04.00-A	0 – 1-1/2	3-3/16	12	–	7-3/4	3-5/8	14-1/2	4-3/8	–	2-3/4	36
M-04.00-B	1-1/4 – 2-1/2	3-3/16	12	–	8-3/4	3-5/8	16-1/2	4-3/8	–	2-3/4	38
M-04.00-C	2-1/4 – 3-1/2	3-3/16	12	–	9-3/4	3-5/8	14-1/2	4-3/8	–	2-3/4	41
<b>8 Tons Capacity</b>											
M-08.00-A	0 – 2	4-15/16	–	19-1/4	11-7/16	4	19-1/2	5-1/2	8	4	107
M-08.00-B	1-3/4 – 3-1/2	4-15/16	–	19-1/4	12-15/16	4	21	5-1/2	8	4	110
M-08.00-C	3-1/4 – 5	4-15/16	–	19-1/4	14-7/16	4	22-1/2	5-1/2	8	4	125

Consult factory for possible larger capacities. SPECIFICATIONS ARE SUBJECT TO CHANGE WITHOUT NOTICE.