

Model JP

Locking Type

The **Model JP** is a vertical lifting clamp capable of turning a single plate or member from horizontal to vertical and back to horizontal through the same 90° arc. Permits side loading of lifting shackle up to 90° by de-rating of clamp's rated capacity. Refer to Figure 1 for de-rated capacities. The "Lock Open – Lock Closed" feature facilitates attaching and removing the clamp from the plate.

Model JP incorporates a pivoting shackle that permits side loading of the lifting shackle at 100% of rated capacity from vertical to 30°, 75% of rated capacity between 30° and 45° and 50% of rated capacity between 45° and 90°. See Figure 1.

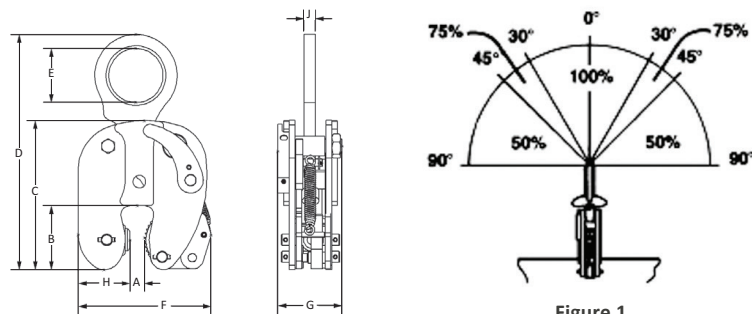
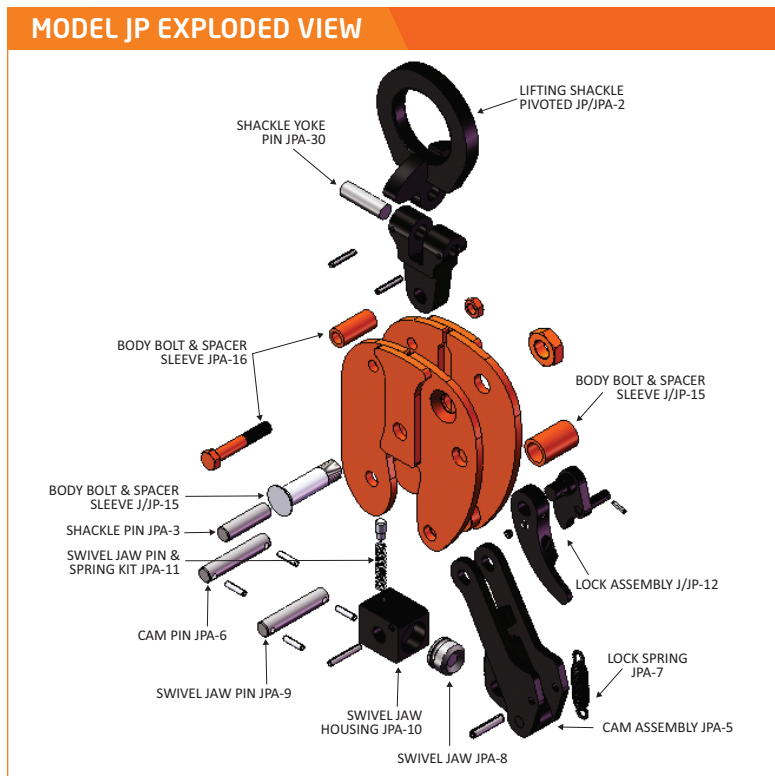


Figure 1



Choose the Model JP for higher cycle counts and higher capacity lifts or pulls.



Choose Factory Refurbish & Recertification

Do you currently offer clamp refurbishing and recertifications? Count on Caldwell/RENFROE to handle refurbishments in total for you or to supplement your in-house capabilities. To begin the quote process or learn more about the program, call our customer service department. We'll explain how things work and get you started right away. All clamps are proof tested and come with a certificate of proof test. **Call us at 800.628.4263.**

MODEL JP SPECIFICATIONS (in inches)

Part Number	Plate Thickness A	B	C	Max. D	E	Max. F	G	H	J	Weight (lbs.)
1/2 Tons Capacity										
JP-00.50-A	0 – 5/8	2-3/4	6-1/2	12	2-3/8	5-5/8	3-1/4	2-1/4	1/2	12
JP-00.50-B	1/2 – 1	2-3/4	6-1/2	12	2-3/8	6	3-1/4	2-1/4	1/2	
JP-00.50-C	3/4 – 1-1/4	2-3/4	6-1/2	12	2-3/8	6-1/4	3-1/4	2-1/4	1/2	
JP-00.50-D	1-1/4 – 1-3/4	2-3/4	6-1/2	12	2-3/8	6-3/4	3-1/4	2-1/4	1/2	
1 Tons Capacity										
JP-01.00-A	0 – 3/4	3-3/8	7-3/4	13-3/4	2-5/8	7	3-1/2	2-5/8	5/8	20
JP-01.00-B	1/2 – 1	3-3/8	7-3/4	13-3/4	2-5/8	7-1/4	3-1/2	2-5/8	5/8	
JP-01.00-C	3/4 – 1-1/4	3-3/8	7-3/4	13-3/4	2-5/8	8	3-1/2	2-5/8	5/8	
JP-01.00-D	1 – 1-1/2	3-3/8	7-3/4	13-3/4	2-5/8	8-1/4	3-1/2	2-5/8	5/8	
JP-01.00-E	1-1/2 – 2	3-3/8	7-3/4	13-3/4	2-5/8	8-3/4	3-1/2	2-5/8	5/8	
2 Tons Capacity										
JP-02.00-A	0 – 1	3-5/8	9-1/2	17-3/8	3-1/2	8-3/4	4-1/2	3	3/4	40
JP-02.00-B	3/4 – 1-1/2	3-5/8	9-1/2	17-3/8	3-1/2	9-1/4	4-1/2	3	3/4	
JP-02.00-C	1-1/4 – 2	3-5/8	9-1/2	17-3/8	3-1/2	9-3/4	4-1/2	3	3/4	
JP-02.00-D	2 – 2-3/4	3-5/8	9-1/2	17-3/8	3-1/2	10-1/2	4-1/2	3	3/4	
4 Tons Capacity										
JP-04.00-A	3/16 – 1-1/4	4-3/8	11-1/2	20-1/8	3-1/2	9-1/4	4-1/2	3-1/4	1-1/2	50
JP-04.00-B	1 – 2	4-3/8	11-1/2	20-1/8	3-1/2	10	4-1/2	3-1/4	1-1/2	
JP-04.00-C	2 – 3	4-3/8	11-1/2	20-1/8	3-1/2	11	4-1/2	3-1/4	1-1/2	
JP-04.00-D	3 – 4	4-3/8	11-1/2	20-1/8	3-1/2	12	4-1/2	3-1/4	1-1/2	
6 Tons Capacity										
JP-06.00-A	1/4 – 1-3/8	4-7/8	12-3/8	20-7/8	3-5/8	10-3/4	4-3/4	3-3/4	1-3/4	72
JP-06.00-B	1 – 2-1/8	4-7/8	12-3/8	20-7/8	3-5/8	11-1/2	4-3/4	3-3/4	1-3/4	
JP-06.00-C	2 – 3-1/8	4-7/8	12-3/8	20-7/8	3-5/8	12-1/2	4-3/4	3-3/4	1-3/4	
JP-06.00-D	3 – 4-1/8	4-7/8	12-3/8	20-7/8	3-5/8	13-1/2	4-3/4	3-3/4	1-3/4	
8 Tons Capacity										
JP-08.00-A	3/8 – 1-1/2	5-3/8	12-3/4	22-5/8	3-3/4	12-3/8	5-1/4	4-1/4	2	93
JP-08.00-B	1 – 2-1/8	5-3/8	12-3/4	22-5/8	3-3/4	13	5-1/4	4-1/4	2	
JP-08.00-C	2 – 3-1/8	5-3/8	12-3/4	22-5/8	3-3/4	14-5/8	5-1/4	4-1/4	2	
JP-08.00-D	3 – 4-1/8	5-3/8	12-3/4	22-5/8	3-3/4	15-5/8	5-1/4	4-1/4	2	
12 Tons Capacity										
JP-12.00-A	1/2 – 2-1/2	7-1/4	17-3/8	28-1/8	3-7/8	15-15/16	7-1/16	5-3/8	2	203
JP-12.00-B	2 – 4	7-1/4	17-3/8	28-1/8	3-7/8	17-7/16	7-1/16	5-3/8	2	212
JP-12.00-C	4 – 6	7-1/4	17-3/8	28-1/8	3-7/8	19-7/16	7-1/16	5-3/8	2	222
16 Tons Capacity										
JP-16.00-A	1/2 – 2-1/2	8	19-13/16	32-5/16	4-1/2	19-13/16	8-11/16	6-1/4	2-1/4	350
20 Tons Capacity										
JP-20.00-A	1/2 – 3	8-5/8	21-13/16	35-7/8	5	21	11-1/2	6-7/8	2-3/4	456
25 Tons Capacity										
JP-25.00-A	1/2 – 2-1/2	8-5/8	23-5/8	35-7/8	5	19-1/16	9-5/8	6-3/4	3	483
JP-25.00-B	3 – 5	8-5/8	23-5/8	35-7/8	5	21-9/16	9-5/8	6-3/4	3	495
JP-25.00-C	4 – 6	8-5/8	23-5/8	35-7/8	5	22-9/16	9-5/8	6-3/4	3	502
30 Tons Capacity										
JP-30.00-A	1/2 – 3	9-9/16	24-1/4	39-7/8	5	22-13/16	14-9/16	7-5/8	3	625
50 Tons Capacity										
JP-50.00-A	3 – 5	10-7/8	30-7/8	46-7/16	5	29-3/16	11-1/8	9-1/4	3-1/2	1306

Consult factory for possible larger capacities. SPECIFICATIONS ARE SUBJECT TO CHANGE WITHOUT NOTICE.