



# The Caldwell Group, Inc.

5055 26<sup>th</sup> Avenue (815) 229-5667  
Rockford, IL 61109 Toll Free (800) 628-4263  
[www.caldwellinc.com](http://www.caldwellinc.com) Fax (815)-229-5686

## INSTRUCTION MANUAL FOR

### Model 22 – Heavy Duty Twin Basket Sling Lifting Beam

Your new Model 22 Lifting Beam will only support loads up to its rated capacity when loaded correctly. The Model 22 Lifting Beam is a load supporting, complying with ASME B30.20 BTH-1 Design Category B and Service Class 2, which is for specific tasks withstanding forces based on the unit's rated capacity. Use the following guidelines for your protection, and for optimal operation of your equipment. The safety precaution list below is not necessarily all-inclusive. The owner or user is responsible for understanding and acting according to industry standards and any local, city, state, and federal regulations. Refer to the Manufacturer's Instruction Manual for product and safety information on other attachments, components, or both used with your lifting equipment.

1. **DO NOT EXCEED RATED CAPACITY.**
2. **DO NOT** lift or support people.
3. **DO NOT** lift over people.
4. **DO NOT** lift higher than necessary.
5. **DO NOT** leave suspended load unattended.
6. **DO** inspect the lifter and slings for damage or excess wear before each lift. Check for structural bending and cracks, excess wear at load points and pins, cracked or broken welds, deformed hardware. If inspection reveals any defect(s), remove the lifting device from service, and tag "Out of Service". Immediately notify your Safety administrator or Supervisor to contact The Caldwell Group regarding any defect.
7. **DO** contact The Caldwell Group to replace worn or damaged tags and/or decals.

#### Loading Operation

1. See **Tag & Decal Location page 3**, Know the rated capacity of the beam and the beam weight (located on the Caldwell Nameplate/ID tag).
2. See **Figure 1**, Select slings, according to the sling's rated capacity (the rated capacity of the slings must be equal to or greater than the total of the beam weight and the load weight) for a vertical basket hitch.
3. See **Figure 1**, Use **ONLY** symmetrical attachment loading! Attach the slings, one on each of the fixed hooks, in a basket hitch style, and position each sling at equal distance from the center of the bail (may use one pair or multiple pairs of slings).
4. See **Figure 1**, Use **ONLY** a vertical pull! The center of the crane hook must be 90 degrees to the beam.
5. See **Figure 2 & 3**, Avoid overloading the lifting system. Rigging must be a maximum 90 degrees or minimum 45 degrees to the beam, proper lifting.
6. See **Figure 1**, Prevent tilting of the Model 22 Lifting Beam and the load, positioning the load's center of gravity in-line with the center of the crane hook.
7. Perform a test lift of several inches to verify the load is properly balanced and the lifter is level/horizontal.
8. See **Figure 1**, The Lifting Beam is level/horizontal, the attachment is symmetrical, proper lifting.
9. See **Figure 4**, The sling attachment is asymmetrical, improper lifting.
10. See **Figure 5**, The Lifting Beam is not level/horizontal and the load's center of gravity is not in-line with the center of the crane hook, improper lifting.

#### PROPER LIFTING

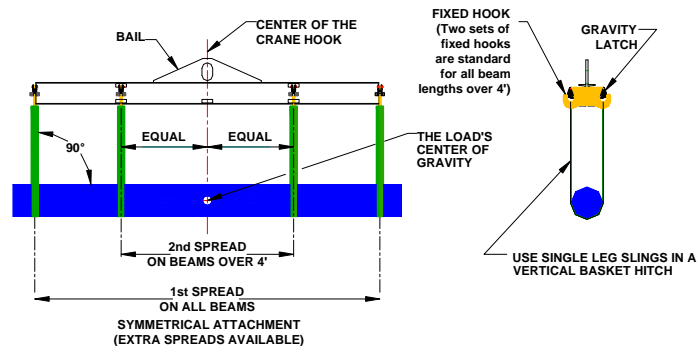


Figure 1



# The Caldwell Group, Inc.

5055 26<sup>th</sup> Avenue (815) 229-5667  
Rockford, IL 61109 Toll Free (800) 628-4263  
[www.caldwellinc.com](http://www.caldwellinc.com) Fax (815)-229-5686

## INSTRUCTION MANUAL FOR Model 22 – Heavy Duty Twin Basket Sling Lifting Beam

### PROPER LIFTING

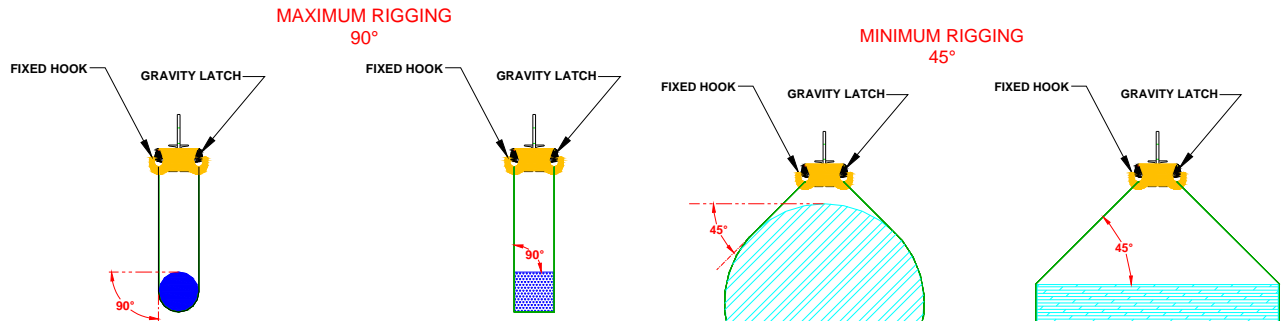


Figure 2

Figure 3

### IMPROPER LIFTING

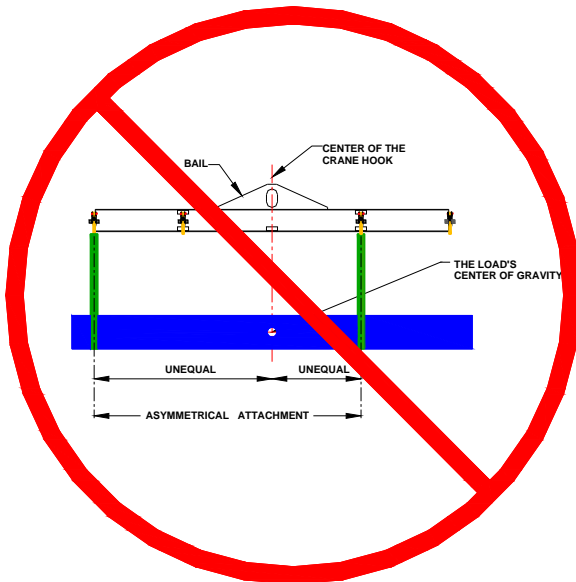


Figure 4

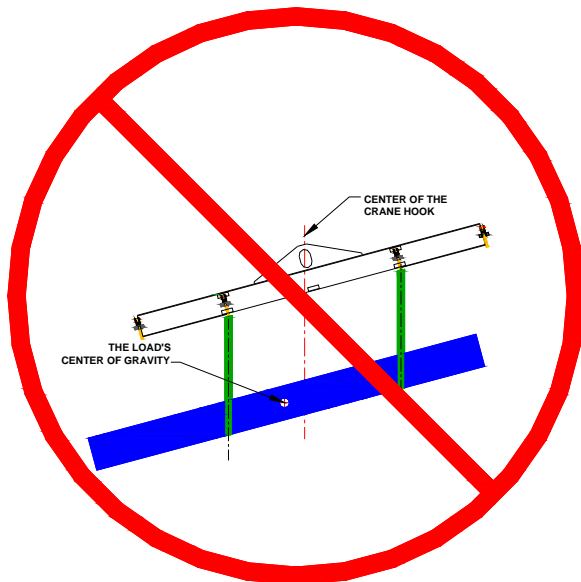


Figure 5

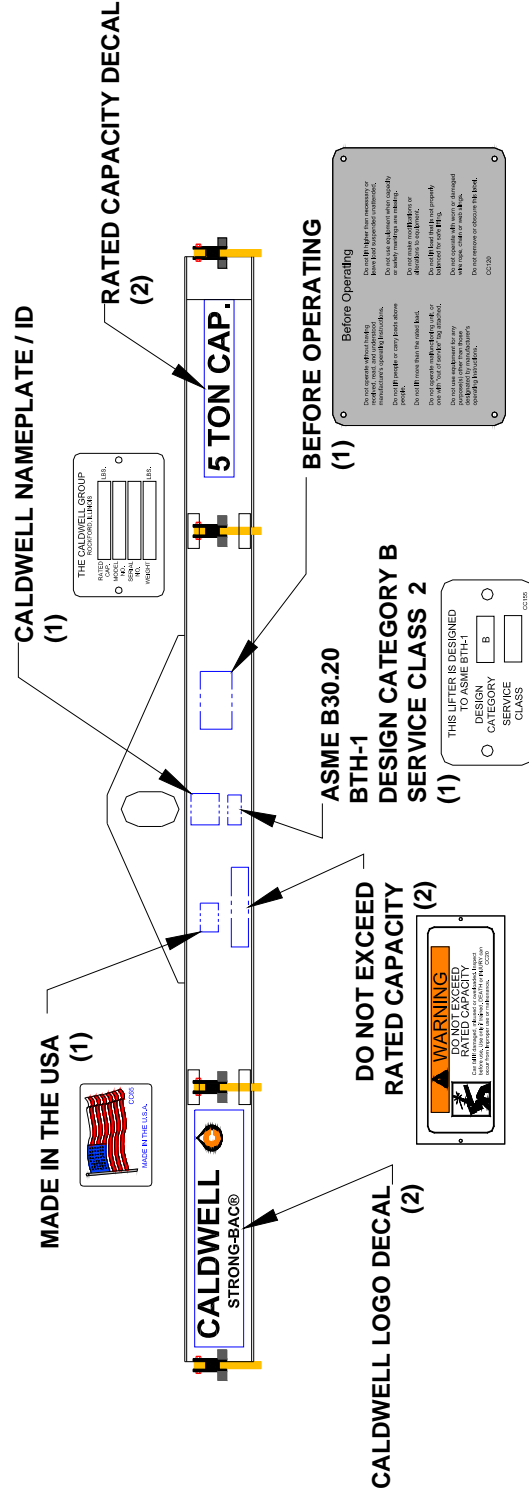
~~~~~  
MODIFICATIONS TO YOUR LIFTING EQUIPMENT WITHOUT PRIOR WRITTEN APPROVAL FROM  
THE CALDWELL GROUP, INC. VOIDS YOUR WARRANTY.  
REFER TO ASME B30.20 REGARDING LIABILITY OF REPAIRED OR MODIFIED LIFTER.



# The Caldwell Group, Inc.

5055 26<sup>th</sup> Avenue (815) 229-5667  
Rockford, IL 61109 Toll Free (800) 628-4263  
[www.caldwellinc.com](http://www.caldwellinc.com) Fax (815)-229-5686

## Model 22 Heavy Duty Twin Basket Sling Lifting Beam Tag & Decal Location



**NOTE:** The "TAG and DECAL Location" drawing is a pictorial representation. The exact location of tags and decals may differ on your lifting unit.