

Tension & Cantilevered Jib Cranes



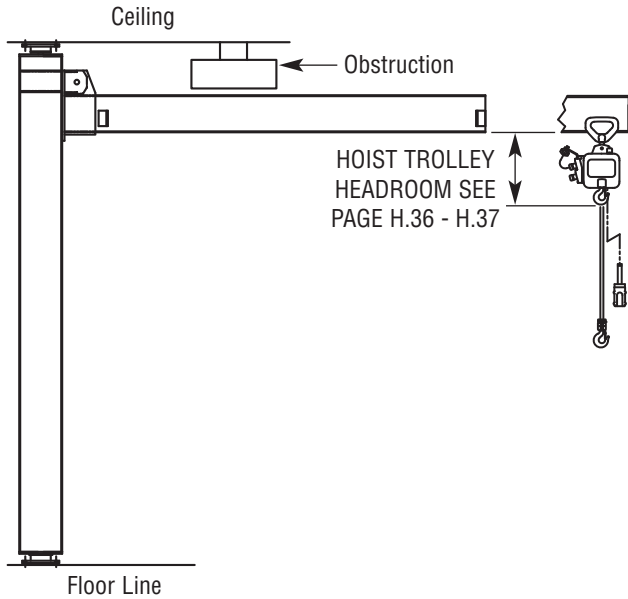
The Caldwell Group • 800-628-4263 • www.caldwellinc.com

Krane-King® Section
2014-2016 Master Catalog

Model F360 / G360 - Mast Type Jib Cranes

Model F360 Drop Boom Style

Allows for clearance from obstructions.



PRODUCT FEATURES:

- Low headroom design.
- Imposes less force than column mounted solutions.
- Span and height combinations from 8'-20'.
- Capacities to 5 tons.
- 360° rotation (when not obstructed).
- Simple four hole base plates for easy installation.
- Bolted connections.
- Very easily adjusted (if out of plum).
- Conforms to applicable standards.

Model Required _____

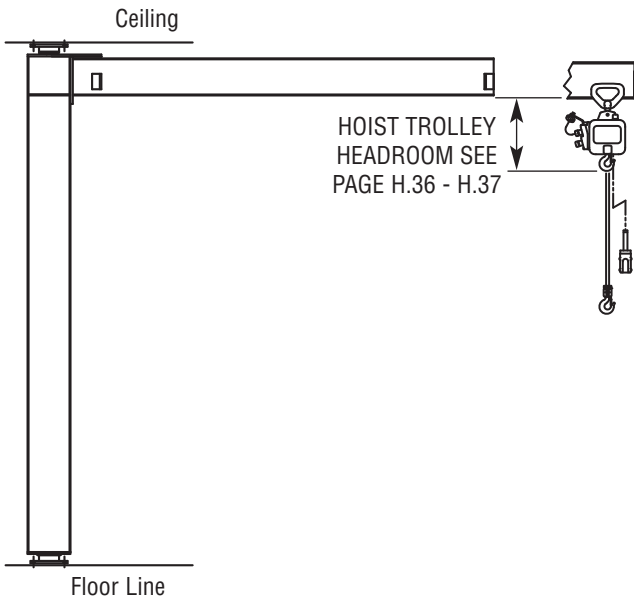
Capacity Required _____ (tons)

Span _____ (ft.)

Height Under Jib Arm _____ (ft.)

Model G360 - Full Cantilever Style

Provides the greatest hook height.



Contact: _____

Company: _____

Address: _____

City, State, Zip: _____

Phone: _____

Fax: _____

Email: _____

For a price quote on your specific application, please complete the above form and fax to The Caldwell Group at **815-229-5686** or you can complete this form online at www.caldwellinc.com/applications.