

Coil Handling - Application Evaluation

Specify type of lifter desired: _____

COIL INFORMATION:

Minimum: O.D. _____ I.D. _____ Width/Height _____ Weight _____

Maximum: O.D. _____ I.D. _____ Width/Height _____ Weight _____

Is coil telescoped? No Yes, distance _____ O.D. or I.D.

In which position will coil be handled? Eye Vertical Eye Horizontal

Describe coil material: Steel Aluminum Brass/Copper
 Other, describe: _____

Is coil hot? No Yes If yes, please answer questions below (1, 2, 3):

1. Maximum load temperature: _____ 2. Maximum time Lifter is in contact with load: _____

3. Minimum cool down time between lifts: _____

Describe characteristics of coil (ex. tightly wound, banded, telescoped, oily, hot, etc.).

Describe where coil is resting and where it will be placed (ex. on a flat surface, pallet, turnstile arm, etc.).

Do the coils need to be protected from damage? Yes, describe: _____ No

ADDITIONAL INFORMATION:

Are reversing motor controls required?

No Yes

If yes, Furnished Loose Mounted On Lifter

Storage / maintenance stand required?

CMAA Crane Duty Class (A, B, C, D, E, F): _____

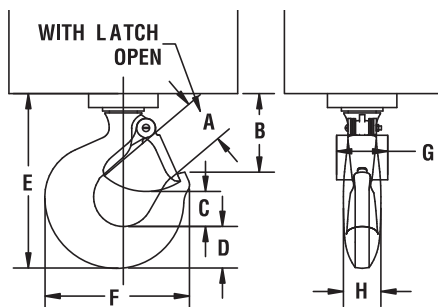
Select lifter service class required based on desired fatigue life: Please reference the chart on page 3 for estimated years of service.

Service Class	Load Cycles
<input type="checkbox"/> 3	500,001 – 2,000,000
<input type="checkbox"/> 4	over 2,000,000

Please use the space provided below for additional application information or lifter options required

(ex: headroom limitations, clearances where load is picked up and placed, etc.).

CRANE HOOK DATA:



- INCHES
- A _____ +0
 - B _____ +0
 - C _____ +0
 - D _____ -0
 - E _____ -0
 - F _____ +/-
 - G _____ -0
 - H _____ -0

Contact: _____

Company: _____

Address: _____

City, State, Zip: _____

Phone: _____

Fax: _____

Email: _____

Measurement Tolerances

- +0 = Measurement should be no larger but can be smaller than actual.
- 0 = Measurement should be no smaller but can be larger than actual.
- +/- = Measurement can be larger or smaller than actual.

For a price quote on your specific application, please complete the above form and fax to The Caldwell Group at **815-229-5686** or you can complete this form online at www.caldwellinc.com/applications.