

Sheet/Plate Handling - Application Evaluation

Specify type of lifter desired: _____

LOAD INFORMATION:

Sheet and/or Plate Dimensions:

Minimum: Length _____ Width _____ Stack Height _____ Weight _____

Maximum: Length _____ Width _____ Stack Height _____ Weight _____

Will single sheet or plates be handled? Yes No If yes, minimum thickness: _____

Specify material being lifted: _____

Are loads palletized? Yes No Sometimes Specify pallet size _____

Sheet Condition: Dry Oily Banded Loose

Is load hot? No Yes, if yes please answer questions below:

Maximum load temperature: _____ Maximum time lifter is in contact with load: _____

Minimum cool down time between lifts: _____

ADDITIONAL INFORMATION:

Operation required: Motorized Manual

If motorized, specify: DC AC Voltage _____ Phase _____ Cycle _____

Pendant required? Yes No

Are reversing motor controls required? No Yes If yes, Furnished Loose Mounted On Lifter

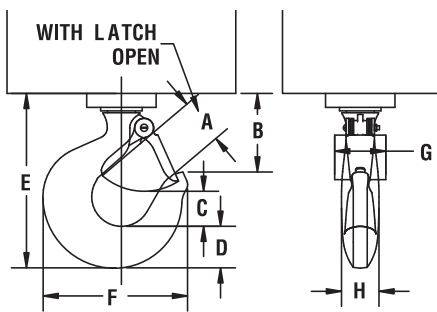
Select lifter service class required based on desired fatigue life: Service Class Load Cycles

Please reference the chart on page 3.	<input type="checkbox"/> 3	500,001 – 2,000,000
	<input type="checkbox"/> 4	over 2,000,000

CMAA Crane Duty Class (A, B, C, D, E, F): _____

Please use the space below to provide additional application information or options required (ex: headroom issues, space restrictions, lifter restrictions or options such as a chain wheel or end hooks).

CRANE HOOK DATA:



INCHES

- A _____ +0
- B _____ +0
- C _____ +0
- D _____ -0
- E _____ -0
- F _____ +/-
- G _____ -0
- H _____ -0

Measurement Tolerances

- +0 = Measurement should be no larger but can be smaller than actual.
- 0 = Measurement should be no smaller but can be larger than actual.
- +/- = Measurement can be larger or smaller than actual.

Contact: _____

Company: _____

Address: _____

City, State, Zip: _____

Phone: _____

Fax: _____

Email: _____

For a price quote on your specific application, please complete the above form and fax to The Caldwell Group at **815-229-5686** or you can complete this form online at www.caldwellinc.com/applications.