

# Pallet Lifter - Application Evaluation

## LOAD INFORMATION:

Describe load: \_\_\_\_\_

Maximum weight: \_\_\_\_\_

Fork pocket spacing: Minimum \_\_\_\_\_ Maximum \_\_\_\_\_

Fork pocket dimensions: Length \_\_\_\_\_ Width \_\_\_\_\_ Height \_\_\_\_\_

Is load center of gravity off-centered?  Yes  No

If no, provide detailed drawing.

Can the load center of gravity shift during movement?  Yes  No

If yes, please explain. \_\_\_\_\_  
 \_\_\_\_\_  
 \_\_\_\_\_  
 \_\_\_\_\_

## CRANE INFORMATION:

Approximate distance between load and crane:  
 \_\_\_\_\_

### Dual crane hoist information

Distance between: \_\_\_\_\_

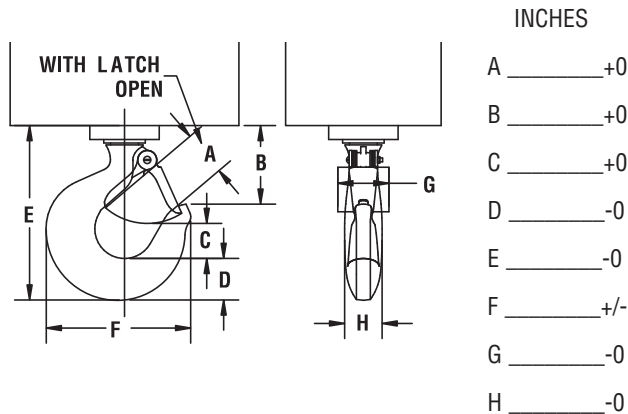
### Single crane hoist information

Capacity: \_\_\_\_\_

Same capacity?  Yes  No

If no, specify capacities:  
 \_\_\_\_\_

## CRANE HOOK DATA:



### Measurement Tolerances

- +0 = Measurement should be no larger but can be smaller than actual.
- 0 = Measurement should be no smaller but can be larger than actual.
- +/- = Measurement can be larger or smaller than actual.

Contact: \_\_\_\_\_

Company: \_\_\_\_\_

Address: \_\_\_\_\_

City, State, Zip: \_\_\_\_\_

Phone: \_\_\_\_\_

Fax: \_\_\_\_\_

Email: \_\_\_\_\_

For a price quote on your specific application, please complete the above form and fax to The Caldwell Group at **815-229-5686** or you can complete this form online at [www.caldwellinc.com/applications](http://www.caldwellinc.com/applications).