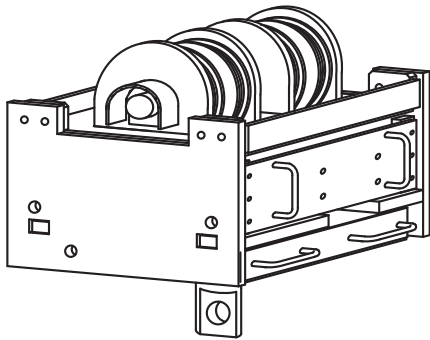
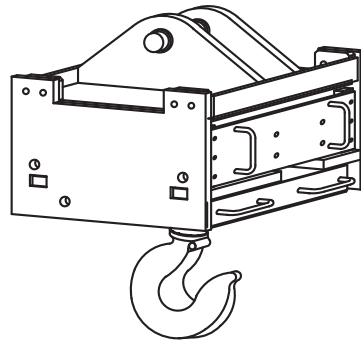


Rotating Crane Hooks

Clevis Style

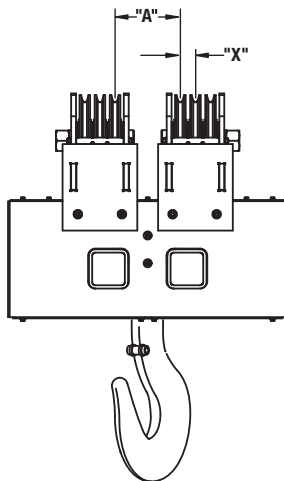


Pin Bail



Application Evaluation

1. CMAA Crane Duty Class: _____
2. Capacity of crane: _____
3. Number of sheaves: _____
4. Sheave diameter: _____
5. Sheave spacing (A): _____ (X): _____
6. Type of sheave bearings: _____
7. Wire rope diameter: _____
8. Maximum degree of rotation required: _____
9. Will a motorized grab be suspended from the hook?
 Yes No



10. Operating voltage: _____
11. Describe load to be rotated:
 - a. Weight _____
 - b. Length _____
 - c. Width _____
 - d. Height _____
 - e. Shape _____
12. Will hook be outdoors?
 Yes No
13. Operation controlled from:
 Cab Pendant Remote
14. Load scale required? Yes No
 Describe requirements:

15. Options required:

Contact: _____
 Company: _____
 Address: _____
 City, State, Zip: _____
 Phone: _____
 Fax: _____
 Email: _____

For a price quote on your specific application, please complete the above form and fax to The Caldwell Group at **815-229-5686** or you can complete this form online at www.caldwellinc.com/applications.