

Spreader Beams - Application Evaluation

LOAD INFORMATION:

Describe load: _____

Maximum weight: _____

Number of pickup points: _____

Distance between (spacing) pickup points: _____

Is load center of gravity centered between outer pick points? Yes No

If no, specify location in reference to pick points (attach a diagram if necessary):

What type of attachment to the load?

Shackles Swivel Hooks Lifting Slings Other (specify) _____

Describe specific requirements: _____

CRANE INFORMATION:

Approximate distance between load and crane:

Single crane hoist information

Capacity: _____

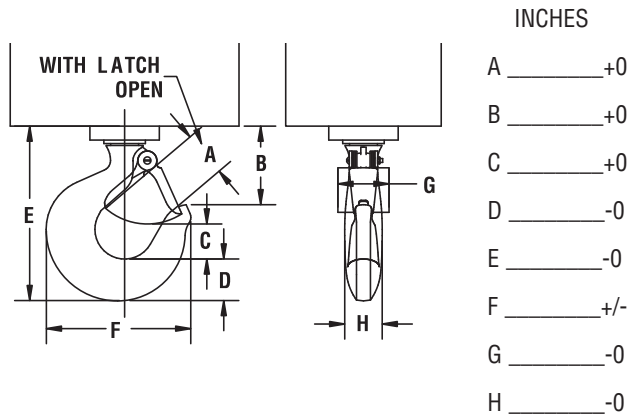
Dual crane hoist information

Distance between: _____

Same capacity? Yes No

If no, specify capacities: _____

CRANE HOOK DATA:



Measurement Tolerances

- +0 = Measurement should be no larger but can be smaller than actual.
- 0 = Measurement should be no smaller but can be larger than actual.
- +/- = Measurement can be larger or smaller than actual.

Contact: _____

Company: _____

Address: _____

City, State, Zip: _____

Phone: _____

Fax: _____

Email: _____

For a price quote on your specific application, please complete the above form and fax to The Caldwell Group at **815-229-5686** or you can complete this form online at www.caldwellinc.com/applications.