



The Caldwell Group, Inc.

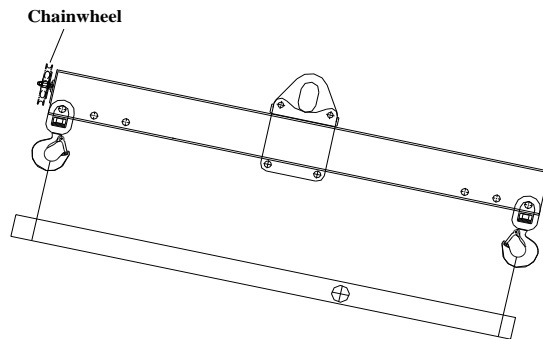
4080 Logistics Pkwy (815) 229-5667
Rockford, IL 61109 Toll Free (800) 628-4263
www.caldwellinc.com Fax (815) 229-5686

TECHNICAL DATA SHEET Model 26 Adjustable Bail Lifting Beam

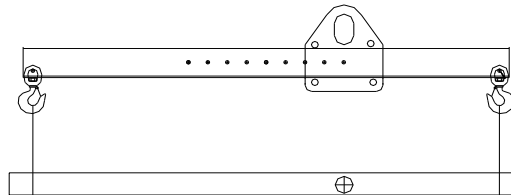
Your new Model 26 Series Lifting Beam is a load supporting lifter, complying with ASME B30.20 BTH-1 Design Category B and Service Class 2. The lifting beam supports loads up to its rated capacity when loaded correctly.

By observing the following operational procedures you can assure reliable handling of the loads you wish to lift.

1. **INSPECT THE BEAM FOR DAMAGE OR EXCESS WEAR BEFORE EACH USE.** Check for structural bending, excess wear at load points and pins, cracked or broken welds, or deformed hooks. If this inspection reveals any defect place the unit out of service and report this to the designated person.
2. **NEVER EXCEED RATED CAPACITY**
3. **POSITION BEAM SO THAT LOAD IS PROPERLY BALANCED. ADJUST BAIL IF NECESSARY.**
4. **DO NOT LIFT PEOPLE. DO NOT LIFT HIGHER THAN NECESSARY. DO NOT LEAVE LOAD UNATTENDED WHEN SUSPENDED.**
5. **IF TAGS OR DECALS BECOME DIFFICULT TO READ, CONTACT THE CALDWELL GROUP FOR REPLACEMENT TAGS AND DECAL**



Improper Loading
Beam & Load are not level
Unstable Lift
Center of Gravity not Under Crane Hook



Proper Loading
Beam & Load Hang Level
Maximum Lift Stability
Center of Gravity Under Crane Hook

Serial Number: _____ Model _____

Test lift the loaded beam, verifying the load and beam are level. If the load's center of gravity is not in-line with the bail, set the load down gently, and readjust, using the hand wheel. Repeat as needed. Once the load's center of gravity is in-line with the bail and both the load and beam are level, lift and transport the load.

If the identification tag and product safety tags are damaged, worn, or missing, contact The Caldwell Group for complimentary replacements.

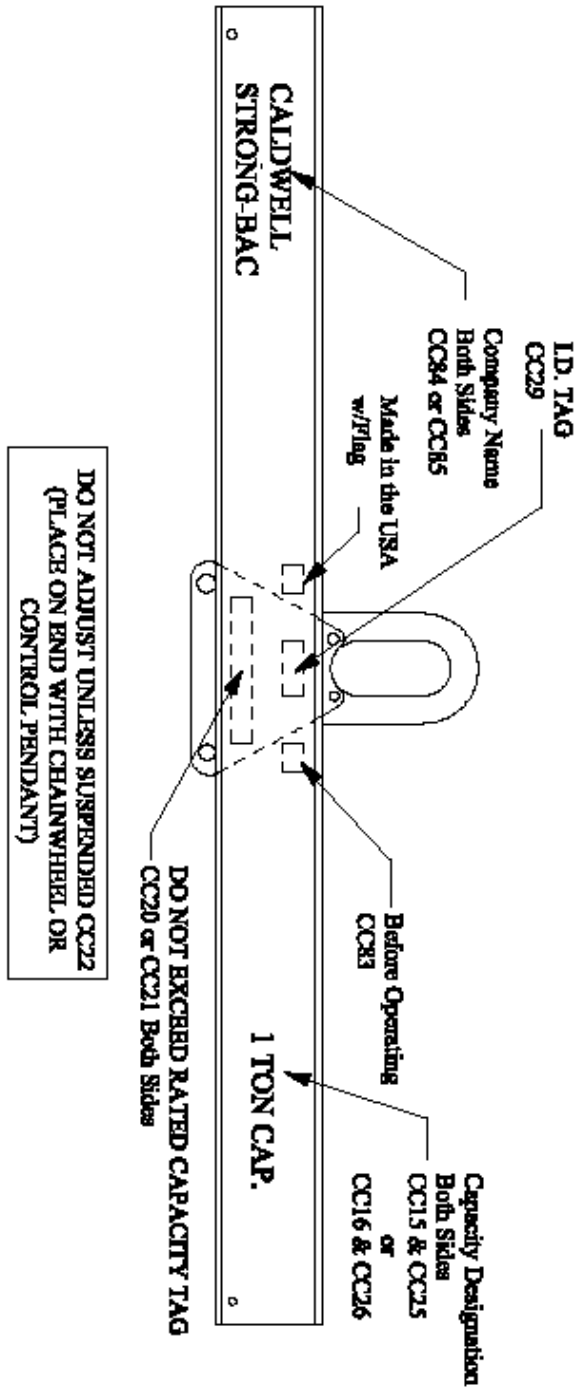
**MODIFICATIONS TO YOUR LIFTING EQUIPMENT WITHOUT PRIOR WRITTEN APPROVAL FROM
THE CALDWELL GROUP, INC. VOIDS YOUR WARRANTY.
REFER TO ASME B30.20, REGARDING LIABILITY OF REPAIRED OR MODIFIED LIFTERS.**



The Caldwell Group, Inc.

4080 Logistics Pkwy (815) 229-5667
 Rockford, IL 61109 Toll Free (800) 628-4263
www.caldwellinc.com Fax (815) 229-5686

Model 26 Tag & Decal Locations



Small Units (6" or Smaller Channel)

- CC29 - ID Tag
- CC84 - Sm Name
- CC15 - Sm TON CAP
- CC20 - Sm Aluminum Warning Tag
- CC25 - Sm Numerals (as required)
- CC22 - Do Not Adjust Unless Suspended
- CC83 - Before Operating

Large Units (>6" Channel)

- CC29 - ID Tag
- CC85 - Lg Name
- CC16 - Lg TON CAP
- CC21 - Lg Aluminum Warning Tag
- CC26 - Lg Numerals (as required)
- CC22 - Do Not Adjust Unless Suspended
- CC83 - Before Operating

Some drive system detail omitted for clarity

Rev
7/03