

Standard Posi-Turner®



The Caldwell Group • 800-628-4263 • www.caldwellinc.com

Posi-Turner® Section
2014-2016 Master Catalog

Standard - Leveler Bail

An optional feature to the Posi-Turner®, the “Leveler” adjusts the center-of-gravity under the hook to balance the load with a push of a button. These photos display the benefit of leveling uneven loads in mid-air to save time and promote a safer work environment.



- Leveler Posi-Turner® will rotate load and adjusts to the center of gravity during lift.
- Custom sizes are available.
- Push button pendent control standard
- Standard bail adjustment 6" each side of center, with optional 12" adjustment each side of center available.
- Complies with ASME standards.

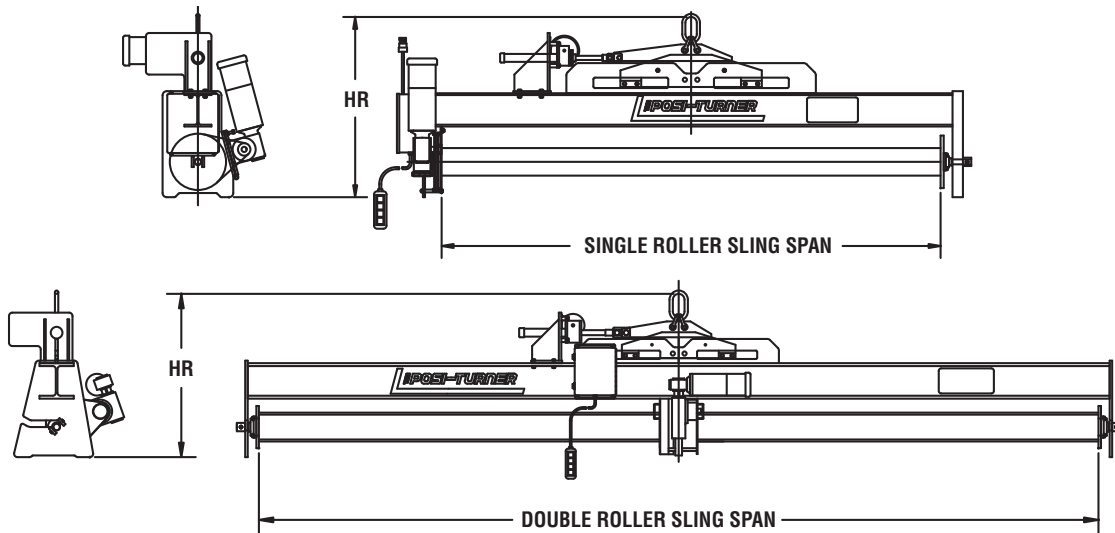
See page C.18 for complete list of product options.



To determine the proper Posi-Turner® required for your specific application, please fill in the Posi-Turner® application evaluation on page C.20 or line at www.caldwellinc.com/applications.

Standard Posi-Turner®

Standard - Leveler Bail



SPECIFICATIONS Application evaluation required; consult factory for additional information.

Model Number	Rated Capacity (lbs.)	Maximum Sling Span (in.)	Roller		HR Headroom (in.)	Unit Weight (lbs.)
			Single / Double	Dia. (in.)		
.5LS-72	500	72	S	2.0	19.1	295
1LS-48	1000	48	S	2.0	19.1	275
1.5LS-72	1500	72	S	4.0	32.5	420
1.5LS-84		84	S	4.0	32.5	455
1.5LS-96		96	S	4.0	32.5	480
1.5LS-108		108	S	4.0	32.5	510
1.5LS-120		120	S	4.0	32.5	535
2LS-80	2000	80	S	5.6	36.8	800
2LS-120		120	S	5.6	36.8	1200
2LS-250		250	D	5.6	38.8	2400
3LS-80	3000	80	S	5.6	36.8	900
3LS-120		120	S	5.6	36.8	1350
3LS-250		250	D	5.6	38.8	2700
4LS-80	4000	80	S	6.6	43.4	1200
4LS-120		120	S	6.6	43.4	1500
4LS-250		250	D	6.6	46	3100
6LS-80	6000	80	S	8.6	43.4	1300
6LS-120		120	S	8.6	43.4	1700
6LS-250		250	D	8.6	46	3400
10LS-80	10000	80	S	8.6	46.5	2400
10LS-120		120	S	8.6	46.5	2500
10LS-250		250	D	8.6	49	4600
16LS-80	16000	80	S	10.8	60	3600
16LS-120		120	S	10.8	60	4000
16LS-250		250	D	6.6	62	5000
22LS-150	22000	150	D	6.6	59	4000
22LS-270		270	D	6.6	62	5600
33LS-150	33000	150	D	8.6	64	4900
33LS-270		270	D	8.6	65	8900
44LS-150	44000	150	D	10.8	71	6500
44LS-270		270	D	10.8	72	10500
55LS-150	55000	150	D	10.8	73	7500
55LS-270		270	D	10.8	80	15000
66LS-150	66000	150	D	10.8	78	9800
66LS-270		270	D	10.8	85	19600
88LS-150	88000	150	D	10.8	86	12900
88LS-270		270	D	10.8	94	25800
110LS-150	110000	150	D	12.8	90	15000
110LS-270		270	D	12.8	101	30000