

Clamps, Grabs & Tongs

Model BWC - Beam Web Clamps

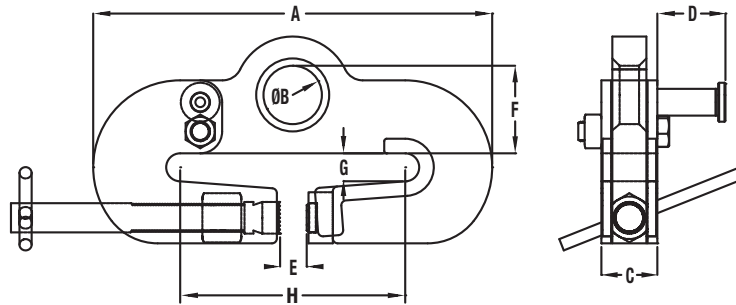
NEW



PRODUCT FEATURES:

- Designed to accommodate side load applications.
- Full rated capacity at any lifting angle.
- Low headroom design.
- Securely grips beam web and flange.
- Use for lifting or hanging.
- Complies with ASME B30.20 and BTH-1.

INSTOCK PROGRAM



SPECIFICATIONS

Model Number	Rated Capacity lbs.	Dimensions (in.)									Weight lbs.
		A	B	C	D	E	F	G	H		
									Min	Max	
BWC-5	11,200	20.50	2.75	3.00	3.50	1.25	4.50	1.00	6.00	12.00	76
BWC-10	22,400	20.50	2.75	3.00	3.50	1.25	4.50	1.00	6.00	12.00	76
BWC-10W	22,400	24.30	2.75	3.00	3.50	1.25	4.50	4.00	9.00	15.75	82

Operation

