

Pipe & Manhole Handling



The Caldwell Group • 800-628-4263 • www.caldwellinc.com

Rig-Master® Section
2014-2016 Master Catalog

Model CPL - Leveling Pipe Lifter

Lets you place and position concrete pipe up to 8' in length in one operation.



PRODUCT FEATURES:

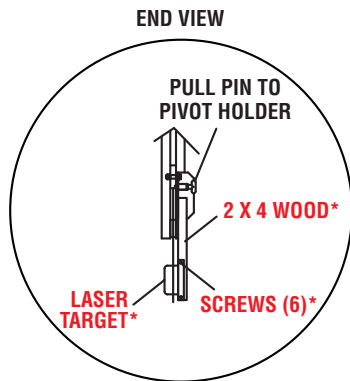
- Stand-up leveling bail adjusts for varying pipe lengths.
- Adjustable bail stop makes repetitive lifts easy to handle.
- Pipe stop helps drive the pipe into position.
- Built-in laser target holder allows operator to set & laser position at the same time.*
- Positioning handle.
- Complies with ASME standards.



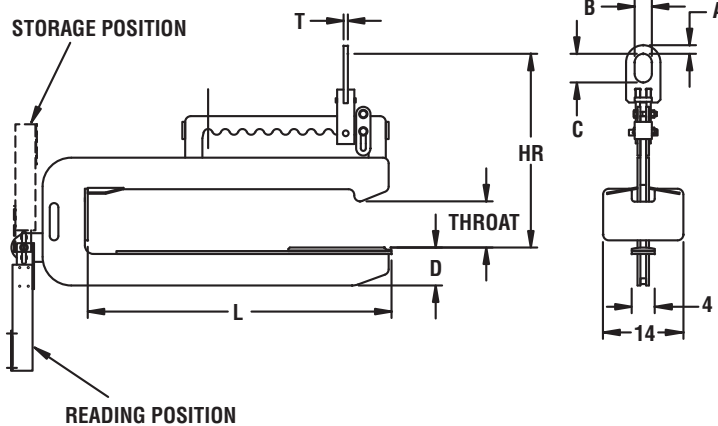
SPECIFICATIONS

Model Number	Dimensions (inches)									Capacity (lbs.)	Weight (lbs.)
	Min. Pipe I.D.	Throat	Arm (D)	Arm Length (L)	HR	Bail Dimensions					
						A	B	C	T		
CPL-1.5	8	8	6.62	53	33.80	1.50	3	5	0.75	3000	300
CPL-3	10	8	6.87	53	35.63	1.50	3	5	1	6000	500
CPL-4.5	10	8	7.44	54	37.31	2	4	7	1.25	9000	700
CPL-6	12	8.50	8.38	54.50	39.25	2	4	7	1.25	12000	750
CPL-9	12	10	8.25	55	41.63	2	4	7	1.25	18000	1100
CPL-15	14	12	10.75	58	48.12	2.50	4	7	1.50	30000	1550

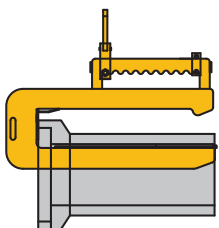
*NOTE: Laser target, 2x4 and screws not included.



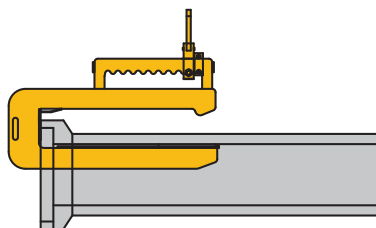
*CUSTOMER SUPPLIED ITEMS



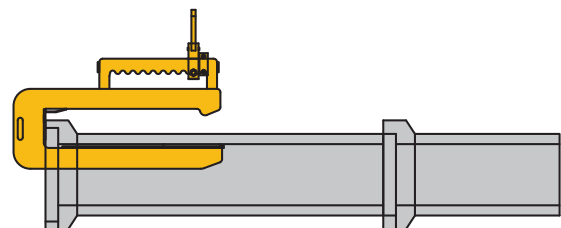
Operation



4' Carry Position
or Empty Position



8' Carry Position



Use to easily join
lengths of pipe.