

Special Applications



The Caldwell Group • 800-628-4263 • www.caldwellinc.com

Rig-Master® Section
2014-2016 Master Catalog

Model A through O - Universal Hook Latch



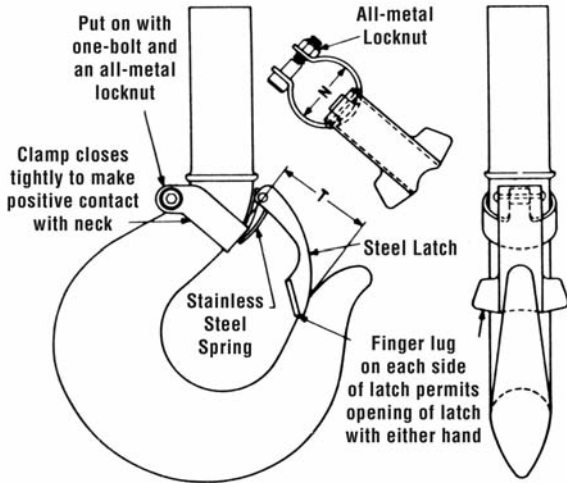
INSTOCK PROGRAM

PRODUCT FEATURES:

- Keeps fingers out of danger zones.
- Keeps load on bottom hook when load is slack.
- Keeps top hook on ring, hook, or trolley.
- Can be installed on any hook in minutes with only simple tools.
- Meets requirements: Sect. 1910.181 (a) (29) OSHA.

SPECIFICATIONS

Model Number	Hook Dimensions (in.)	
	Neck (N)	Throat (T)
A	9/16 to 5/8	1 1/16 to 1 1/8
B	3/4 to 13/16	1-1/4
C	7/8 to 1	1-3/8 to 1-1/2
D	1-1/8 to 1-1/4	1-3/4 to 1-7/8
E	1-3/8 to 1-1/2	2-1/16
F	1-5/8 to 1-11/16	2-1/4
G	1-3/4 to 1-13/16	2-1/2
H	1-7/8 to 2	3
J	2-1/16 to 2-1/8	3-3/8
K	2-3/16 to 2-1/4	3-1/2
L	2-5/16 to 2-3/8	3-3/4
M	2-7/16 to 2-3/4	4
O	3 to 3-1/4	4-1/2



Operation

