

# Tension & Cantilevered Jib Cranes



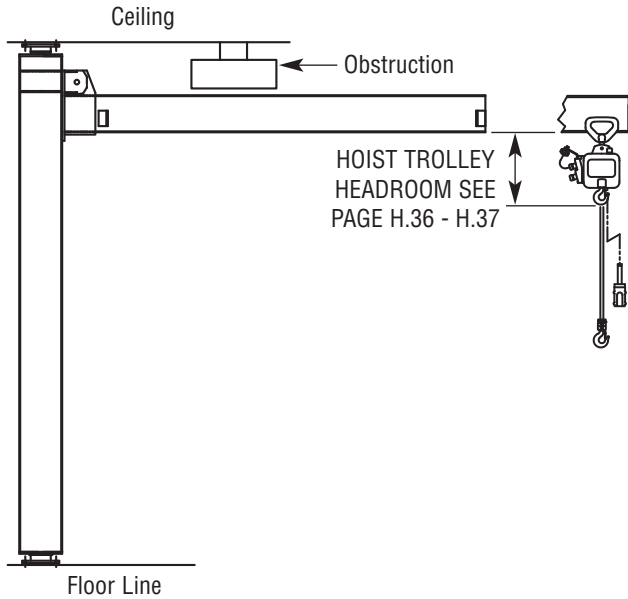
**The Caldwell Group** • 800-628-4263 • www.caldwellinc.com

Krane-King® Section  
2014-2016 Master Catalog

## Model F360 / G360 - Mast Type Jib Cranes

### Model F360 Drop Boom Style

Allows for clearance from obstructions.



### PRODUCT FEATURES:

- Low headroom design.
- Imposes less force than column mounted solutions.
- Span and height combinations from 8'-20'.
- Capacities to 5 tons.
- 360° rotation (when not obstructed).
- Simple four hole base plates for easy installation.
- Bolted connections.
- Very easily adjusted (if out of plum).
- Conforms to applicable standards.

Model Required \_\_\_\_\_

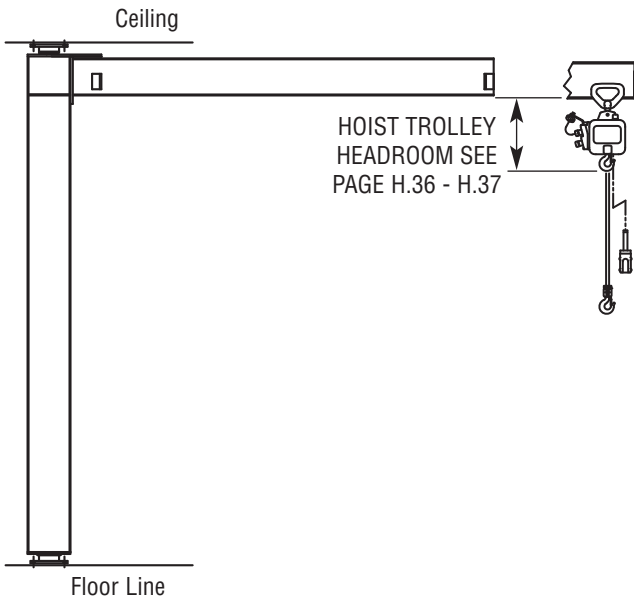
Capacity Required \_\_\_\_\_ (tons)

Span \_\_\_\_\_ (ft.)

Height Under Jib Arm \_\_\_\_\_ (ft.)

### Model G360 - Full Cantilever Style

Provides the greatest hook height.



Contact: \_\_\_\_\_

Company: \_\_\_\_\_

Address: \_\_\_\_\_

City, State, Zip: \_\_\_\_\_

Phone: \_\_\_\_\_

Fax: \_\_\_\_\_

Email: \_\_\_\_\_

For a price quote on your specific application, please complete the above form and fax to The Caldwell Group at **815-229-5686** or you can complete this form online at [www.caldwellinc.com/applications](http://www.caldwellinc.com/applications).