

Gantry Cranes

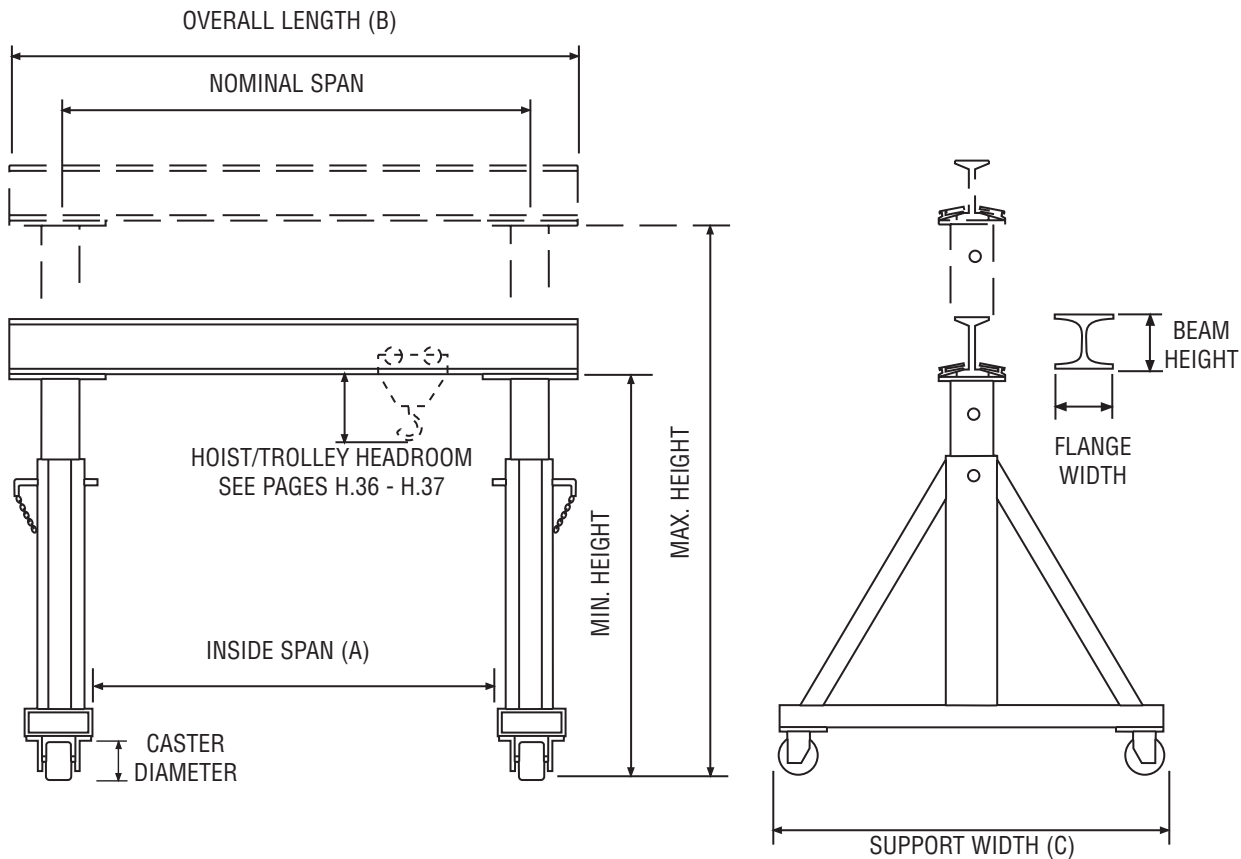
Model K90 - Adjustable Height & Span Gantry



PRODUCT FEATURES:

- Adjustable span standard on 10'-16' spans through 5 ton.
- Bolted connections on spans of 20'-24' and all 8 ton units.
- Heavy duty supported leg design.
- Balanced designed allows for easy maneuvering, even under load.
- Conforms to AISC, OSHA and CMAA specifications.
- Simple bolted construction.
- Easy set up and maintenance.
- 4-steel swivel casters standard.
- Height & span adjustability.
- Height adjustable down from maximum in 12" increments.
- For our optional gantry crane features, please see page H.15.

**QUICKSHIP
PROGRAM**



Gantry Cranes

Model K90-1 - 1 Ton Capacity

**QUICKSHIP
PROGRAM**

SPECIFICATIONS		Nominal Span (ft.)						
		Clamp Connection				Bolt Connection		
1 Ton Capacity*		10	12	14	16	20	24	
Maximum Height Under Beam (ft.)	7	Model Number	K90-1-7/10	K90-1-7/12	K90-1-7/14	K90-1-7/16	K90-1-7/20	K90-1-7/24
		Inside Span (A)	10'-5"	12'-5"	14'-5"	16'-5"	19'-7"	23'-7"
		Overall Length (B)	11'-6"	13'-6"	15'-6"	17'-6"	21'-3"	25'-3"
		Weight (lbs.)	550	650	675	850	1000	1500
		Minimum Height	5'-0"					
		Support Width (C)	4'-0"					
	9	Model Number	K90-1-9/10	K90-1-9/12	K90-1-9/14	K90-1-9/16	K90-1-9/20	K90-1-9/24
		Inside Span (A)	10'-5"	12'-5"	14'-5"	16'-5"	19'-7"	23'-7"
		Overall Length (B)	11'-6"	13'-6"	15'-6"	17'-6"	21'-3"	25'-3"
		Weight (lbs.)	625	725	750	925	1075	1575
		Minimum Height	6'-0"					
		Support Width (C)	5'-0"					
	10	Model Number	K90-1-10/10	K90-1-10/12	K90-1-10/14	K90-1-10/16	K90-1-10/20	K90-1-10/24
		Inside Span (A)	10'-5"	12'-5"	14'-5"	16'-5"	19'-7"	23'-7"
		Overall Length (B)	11'-6"	13'-6"	15'-6"	17'-6"	21'-3"	25'-3"
		Weight (lbs.)	650	750	800	950	1100	1600
		Minimum Height	7'-0"					
		Support Width (C)	5'-6"					
	12	Model Number	K90-1-12/10	K90-1-12/12	K90-1-12/14	K90-1-12/16	K90-1-12/20	K90-1-12/24
		Inside Span (A)	10'-5"	12'-5"	14'-5"	16'-5"	19'-7"	23'-7"
		Overall Length (B)	11'-6"	13'-6"	15'-6"	17'-6"	21'-3"	25'-3"
		Weight (lbs.)	750	850	900	1050	1200	1700
		Minimum Height	8'-0"					
		Support Width (C)	6'-6"					
	14	Model Number	K90-1-14/10	K90-1-14/12	K90-1-14/14	K90-1-14/16	K90-1-14/20	K90-1-14/24
		Inside Span (A)	10'-5"	12'-5"	14'-5"	16'-5"	19'-7"	23'-7"
		Overall Length (B)	11'-6"	13'-6"	15'-6"	17'-6"	21'-3"	25'-3"
		Weight (lbs.)	800	900	950	1100	1275	1750
Minimum Height		9'-0"						
Support Width (C)		7'-6"						
16	Model Number	K90-1-16/10	K90-1-16/12	K90-1-16/14	K90-1-16/16	K90-1-16/20	K90-1-16/24	
	Inside Span (A)	10'-5"	12'-5"	14'-5"	16'-5"	19'-7"	23'-7"	
	Overall Length (B)	11'-6"	13'-6"	15'-6"	17'-6"	21'-3"	25'-3"	
	Weight (lbs.)	850	950	1000	1150	1325	1800	
	Minimum Height	10'-0"						
	Support Width (C)	7'-6"						
Beam Height (in.)		6	8		10		12	
Flange Width (in.)		3.33	4		4.7		5.30	
Caster Diameter (in.)		6						

* Total weight of hoist and trolley not to exceed 20% of rated capacity.

Gantry Cranes

Model K90-2 - 2 Ton Capacity

**QUICKSHIP
PROGRAM**

SPECIFICATIONS		Nominal Span (ft.)						
		Clamp Connection				Bolt Connection		
2 Ton Capacity*		10	12	14	16	20	24	
Maximum Height Under Beam (ft.)	7	Model Number	K90-2-7/10	K90-2-7/12	K90-2-7/14	K90-2-7/16	K90-2-7/20	K90-2-7/24
		Inside Span (A)	10'-5"	12'-5"	14'-5"	16'-5"	19'-7"	23'-7"
		Overall Length (B)	11'-6"	13'-6"	15'-6"	17'-6"	21'-3"	25'-3"
	Weight (lbs.)	675	700	850	900	1400	1600	
	Minimum Height	5'-2"				5'-3"		
	Support Width (C)	4'-0"						
	9	Model Number	K90-2-9/10	K90-2-9/12	K90-2-9/14	K90-2-9/16	K90-2-9/20	K90-2-9/24
		Inside Span (A)	10'-5"	12'-5"	14'-5"	16'-5"	19'-7"	23'-7"
		Overall Length (B)	11'-6"	13'-6"	15'-6"	17'-6"	21'-3"	25'-3"
	Weight (lbs.)	750	800	925	975	1475	1675	
	Minimum Height	6'-2"				6'-3"		
	Support Width (C)	5'-0"						
	10	Model Number	K90-2-10/10	K90-2-10/12	K90-2-10/14	K90-2-10/16	K90-2-10/20	K90-2-10/24
		Inside Span (A)	10'-5"	12'-5"	14'-5"	16'-5"	19'-7"	23'-7"
		Overall Length (B)	11'-6"	13'-6"	15'-6"	17'-6"	21'-3"	25'-3"
	Weight (lbs.)	775	825	975	1025	1500	1700	
	Minimum Height	7'-2"				7'-3"		
	Support Width (C)	5'-6"						
	12	Model Number	K90-2-12/10	K90-2-12/12	K90-2-12/14	K90-2-12/16	K90-2-12/20	K90-2-12/24
Inside Span (A)		10'-5"	12'-5"	14'-5"	16'-5"	19'-7"	23'-7"	
Overall Length (B)		11'-6"	13'-6"	15'-6"	17'-6"	21'-3"	25'-3"	
Weight (lbs.)	875	900	1050	1100	1600	1800		
Minimum Height	8'-2"				8'-3"			
Support Width (C)	6'-6"							
14	Model Number	K90-2-14/10	K90-2-14/12	K90-2-14/14	K90-2-14/16	K90-2-14/20	K90-2-14/24	
	Inside Span (A)	10'-5"	12'-5"	14'-5"	16'-5"	19'-7"	23'-7"	
	Overall Length (B)	11'-6"	13'-6"	15'-6"	17'-6"	21'-3"	25'-3"	
Weight (lbs.)	950	975	1125	1175	1650	1875		
Minimum Height	9'-2"				9'-3"			
Support Width (C)	7'-6"							
16	Model Number	K90-2-16/10	K90-2-16/12	K90-2-16/14	K90-2-16/16	K90-2-16/20	K90-2-16/24	
	Inside Span (A)	10'-5"	12'-5"	14'-5"	16'-5"	19'-7"	23'-7"	
	Overall Length (B)	11'-6"	13'-6"	15'-6"	17'-6"	21'-3"	25'-2"	
Weight (lbs.)	1000	1025	1175	1225	1700	1925		
Minimum Height	10'-2"				10'-3"			
Support Width (C)	7'-6"							
Beam Height (in.)	8			10		12	15	
Flange Width (in.)	4			4.7		5	5.5	
Caster Diameter (in.)	8							

* Total weight of hoist and trolley not to exceed 20% of rated capacity.



The Caldwell Group • 800-628-4263 • www.caldwellinc.com

Krane-King® Section
2014-2016 Master Catalog

Gantry Cranes

Model K90-3 - 3 Ton Capacity

**QUICKSHIP
PROGRAM**

SPECIFICATIONS		Nominal Span (ft.)						
		Clamp Connection				Bolt Connection		
3 Ton Capacity*		10	12	14	16	20	24	
Maximum Height Under Beam (ft.)	7	Model Number	K90-3-7/10	K90-3-7/12	K90-3-7/14	K90-3-7/16	K90-3-7/20	K90-3-7/24
		Inside Span (A)	9'-5"	11'-5"	13'-5"	15'-5"	19'-5"	23'-5"
		Overall Length (B)	11'-6"	13'-6"	15'-6"	17'-6"	21'-3"	25'-3"
		Weight (lbs.)	1000	1050	1100	1250	1675	2125
		Minimum Height	5'-0"					
		Support Width (C)	4'-0"					
	9	Model Number	K90-3-9/10	K90-3-9/12	K90-3-9/14	K90-3-9/16	K90-3-9/20	K90-3-9/24
		Inside Span (A)	9'-5"	11'-5"	13'-5"	15'-5"	19'-5"	23'-5"
		Overall Length (B)	11'-6"	13'-6"	15'-6"	17'-6"	21'-3"	25'-3"
		Weight (lbs.)	1100	1175	1225	1375	1750	2250
		Minimum Height	6'-0"					
		Support Width (C)	5'-0"					
	10	Model Number	K90-3-10/10	K90-3-10/12	K90-3-10/14	K90-3-10/16	K90-3-10/20	K90-3-10/24
		Inside Span (A)	9'-5"	11'-5"	13'-5"	15'-5"	19'-5"	23'-5"
		Overall Length (B)	11'-6"	13'-6"	15'-6"	17'-6"	21'-3"	25'-3"
		Weight (lbs.)	1175	1200	1275	1425	1800	2300
		Minimum Height	7'-0"					
		Support Width (C)	5'-6"					
12	Model Number	K90-3-12/10	K90-3-12/12	K90-3-12/14	K90-3-12/16	K90-3-12/20	K90-3-12/24	
	Inside Span (A)	9'-5"	11'-5"	13'-5"	15'-5"	19'-5"	23'-5"	
	Overall Length (B)	11'-6"	13'-6"	15'-6"	17'-6"	21'-3"	25'-3"	
	Weight (lbs.)	1300	1375	1400	1575	1975	2450	
	Minimum Height	8'-0"						
	Support Width (C)	6'-6"						
14	Model Number	K90-3-14/10	K90-3-14/12	K90-3-14/14	K90-3-14/16	K90-3-14/20	K90-3-14/24	
	Inside Span (A)	9'-5"	11'-5"	13'-5"	15'-5"	19'-5"	23'-5"	
	Overall Length (B)	11'-6"	13'-6"	15'-6"	17'-6"	21'-3"	25'-3"	
	Weight (lbs.)	1400	1475	1525	1675	2075	2550	
	Minimum Height	9'-0"						
	Support Width (C)	7'-6"						
16	Model Number	K90-3-16/10	K90-3-16/12	K90-3-16/14	K90-3-16/16	K90-3-16/20	K90-3-16/24	
	Inside Span (A)	9'-5"	11'-5"	13'-5"	15'-5"	19'-5"	23'-5"	
	Overall Length (B)	11'-6"	13'-6"	15'-6"	17'-6"	21'-3"	25'-3"	
	Weight (lbs.)	1500	1550	1600	1750	2150	2625	
	Minimum Height	10'-0"						
	Support Width (C)	7'-6"						
Beam Height (in.)		10			12	15	18	
Flange Width (in.)		4.7			5	5.5	6	
Caster Diameter (in.)		8						

* Total weight of hoist and trolley not to exceed 20% of rated capacity.

Gantry Cranes

Model K90-4 - 4 Ton Capacity

**QUICKSHIP
PROGRAM**

SPECIFICATIONS		Nominal Span (ft.)						
		Clamp Connection			Bolt Connection			
4 Ton Capacity*		10	12	14	16	20	24	
Maximum Height Under Beam (ft.)	7	Model Number	K90-4-7/10	K90-4-7/12	K90-4-7/14	K90-4-7/16	K90-4-7/20	K90-4-7/24
		Inside Span (A)	9'-5"	11'-5"	13'-5"	15'-5"	19'-5"	23'-5"
		Overall Length (B)	11'-6"	13'-6"	15'-6"	17'-6"	21'-3"	25'-3"
		Weight (lbs.)	975	1125	1200	1450	1625	2125
		Minimum Height	5'-0"					
		Support Width (C)	4'-0"					
	9	Model Number	K90-4-9/10	K90-4-9/12	K90-4-9/14	K90-4-9/16	K90-4-9/20	K90-4-9/24
		Inside Span (A)	9'-5"	11'-5"	13'-5"	15'-5"	19'-5"	23'-5"
		Overall Length (B)	11'-6"	13'-6"	15'-6"	17'-6"	21'-3"	25'-3"
		Weight (lbs.)	1125	1250	1325	1575	1750	2250
		Minimum Height	6'-0"					
		Support Width (C)	5'-0"					
	10	Model Number	K90-4-10/10	K90-4-10/12	K90-4-10/14	K90-4-10/16	K90-4-10/20	K90-4-10/24
		Inside Span (A)	9'-5"	11'-5"	13'-5"	15'-5"	19'-5"	23'-5"
		Overall Length (B)	11'-6"	13'-6"	15'-6"	17'-6"	21'-3"	25'-3"
		Weight (lbs.)	1175	1300	1375	1625	1800	2300
		Minimum Height	7'-0"					
		Support Width (C)	5'-6"					
	12	Model Number	K90-4-12/10	K90-4-12/12	K90-4-12/14	K90-4-12/16	K90-4-12/20	K90-4-12/24
		Inside Span (A)	9'-5"	11'-5"	13'-5"	15'-5"	19'-5"	23'-5"
		Overall Length (B)	11'-6"	13'-6"	15'-6"	17'-6"	21'-3"	25'-3"
		Weight (lbs.)	1325	1450	1525	1775	1975	2450
		Minimum Height	8'-0"					
		Support Width (C)	6'-6"					
	14	Model Number	K90-4-14/10	K90-4-14/12	K90-4-14/14	K90-4-14/16	K90-4-14/20	K90-4-14/24
		Inside Span (A)	9'-5"	11'-5"	13'-5"	15'-5"	19'-5"	23'-5"
		Overall Length (B)	11'-6"	13'-6"	15'-6"	17'-6"	21'-3"	25'-3"
		Weight (lbs.)	1425	1550	1625	1875	2075	2550
Minimum Height		9'-0"						
Support Width (C)		7'-6"						
16	Model Number	K90-4-16/10	K90-4-16/12	K90-4-16/14	K90-4-16/16	K90-4-16/20	K90-4-16/24	
	Inside Span (A)	9'-5"	11'-5"	13'-5"	15'-5"	19'-5"	23'-5"	
	Overall Length (B)	11'-6"	13'-6"	15'-6"	17'-6"	21'-3"	25'-3"	
	Weight (lbs.)	1500	1625	1700	1975	2150	2625	
	Minimum Height	10'-0"						
	Support Width (C)	7'-6"						
Beam Height (in.)		10	12		15		18	
Flange Width (in.)		4.7	5		5.5		6	
Caster Diameter (in.)		8						

* Total weight of hoist and trolley not to exceed 20% of rated capacity.



The Caldwell Group • 800-628-4263 • www.caldwellinc.com

Krane-King® Section
2014-2016 Master Catalog

Gantry Cranes

Model K90-5 - 5 Ton Capacity

**QUICKSHIP
PROGRAM**

SPECIFICATIONS		Nominal Span (ft.)						
		Clamp Connection				Bolt Connection		
		10	12	14	16	20	24	
Maximum Height Under Beam (ft.)	5 Ton Capacity*							
	7	Model Number	K90-5-7/10	K90-5-7/12	K90-5-7/14	K90-5-7/16	K90-5-7/20	K90-5-7/24
		Inside Span (A)	9'-5"	11'-5"	13'-5"	15'-5"	19'-5"	23'-5"
		Overall Length (B)	11'-6"	13'-6"	15'-6"	17'-6"	21'-3"	25'-3"
		Weight (lbs.)	1175	1225	1475	1550	1700	2175
		Minimum Height	5'-1"			5'-2"		
		Support Width (C)	4'-0"					
	9	Model Number	K90-5-9/10	K90-5-9/12	K90-5-9/14	K90-5-9/16	K90-5-9/20	K90-5-9/24
		Inside Span (A)	9'-5"	11'-5"	13'-5"	15'-5"	19'-5"	23'-5"
		Overall Length (B)	11'-6"	13'-6"	15'-6"	17'-6"	21'-3"	25'-3"
		Weight (lbs.)	1325	1375	1625	1700	1850	2300
		Minimum Height	6'-1"			6'-2"		
		Support Width (C)	5'-0"					
	10	Model Number	K90-5-10/10	K90-5-10/12	K90-5-10/14	K90-5-10/16	K90-5-10/20	K90-5-10/24
		Inside Span (A)	9'-5"	11'-5"	13'-5"	15'-5"	19'-5"	23'-5"
		Overall Length (B)	11'-6"	13'-6"	15'-6"	17'-6"	21'-3"	25'-3"
		Weight (lbs.)	1375	1425	1675	1750	1900	2375
		Minimum Height	7'-1"			7'-2"		
		Support Width (C)	5'-6"					
	12	Model Number	K90-5-12/10	K90-5-12/12	K90-5-12/14	K90-5-12/16	K90-5-12/20	K90-5-12/24
		Inside Span (A)	9'-5"	11'-5"	13'-5"	15'-5"	19'-5"	23'-5"
		Overall Length (B)	11'-6"	13'-6"	15'-6"	17'-6"	21'-3"	25'-3"
		Weight (lbs.)	1550	1600	1825	1925	2075	2525
		Minimum Height	8'-1"			8'-2"		
		Support Width (C)	6'-6"					
	14	Model Number	K90-5-14/10	K90-5-14/12	K90-5-14/14	K90-5-14/16	K90-5-14/20	K90-5-14/24
		Inside Span (A)	9'-5"	11'-5"	13'-5"	15'-5"	19'-5"	23'-5"
		Overall Length (B)	11'-6"	13'-6"	15'-6"	17'-6"	21'-3"	25'-3"
Weight (lbs.)		1650	1725	1950	2050	2175	2650	
Minimum Height		9'-1"			9'-2"			
Support Width (C)		7'-6"						
16	Model Number	K90-5-16/10	K90-5-16/12	K90-5-16/14	K90-5-16/16	K90-5-16/20	K90-5-16/24	
	Inside Span (A)	9'-5"	11'-5"	13'-5"	15'-5"	19'-5"	23'-5"	
	Overall Length (B)	11'-6"	13'-6"	15'-6"	17'-6"	21'-3"	25'-3"	
	Weight (lbs.)	1725	1800	2025	2125	2275	2725	
	Minimum Height	10'-1"			10'-2"			
	Support Width (C)	7'-6"						
Beam Height (in.)		12	12	15	15	15	18	
Flange Width (in.)		5	5	5.5	5.5	5.5	6	
Caster Diameter (in.)		8						

* Total weight of hoist and trolley not to exceed 20% of rated capacity.



The Caldwell Group • 800-628-4263 • www.caldwellinc.com

Krane-King® Section
2014-2016 Master Catalog

Gantry Cranes



The Caldwell Group • 800-628-4263 • www.caldwellinc.com

Krane-King® Section
2014-2016 Master Catalog

Model K90-8 - 8 Ton Capacity

SPECIFICATIONS			Nominal Span (ft.)					
			Bolt Connection					
8 Ton Capacity*			10	12	14	16	20	24
Maximum Height Under Beam (ft.)	7	Model Number	K90-8-7/10	K90-8-7/12	K90-8-7/14	K90-8-7/16	K90-8-7/20	K90-8-7/24
		Inside Span (A)	8'-6"	10'-6"	12'-6"	14'-6"	18'-6"	22'-6"
		Overall Length (B)	11'-6"	13'-6"	15'-6"	17'-6"	21'-6"	25'-6"
		Weight (lbs.)	1861	1957	2053	2237	2677	3129
		Minimum Height	5'-6"					
		Support Width (C)	4'-0"					
	9	Model Number	K90-8-9/10	K90-8-9/12	K90-8-9/14	K90-8-9/16	K90-8-9/20	K90-8-9/24
		Inside Span (A)	8'-6"	10'-6"	12'-6"	14'-6"	18'-6"	22'-6"
		Overall Length (B)	11'-6"	13'-6"	15'-6"	17'-6"	21'-6"	25'-6"
		Weight (lbs.)	2074	2170	2266	2450	2890	3342
		Minimum Height	6'-6"					
		Support Width (C)	5'-0"					
	10	Model Number	K90-8-10/10	K90-8-10/12	K90-8-10/14	K90-8-10/16	K90-8-10/20	K90-8-10/24
		Inside Span (A)	8'-6"	10'-6"	12'-6"	14'-6"	18'-6"	22'-6"
		Overall Length (B)	11'-6"	13'-6"	15'-6"	17'-6"	21'-6"	25'-6"
		Weight (lbs.)	2182	2278	2374	2558	2998	3450
		Minimum Height	7'					
		Support Width (C)	5'-6"					
	12	Model Number	K90-8-12/10	K90-8-12/12	K90-8-12/14	K90-8-12/16	K90-8-12/20	K90-8-12/24
		Inside Span (A)	8'-6"	10'-6"	12'-6"	14'-6"	18'-6"	22'-6"
		Overall Length (B)	11'-6"	13'-6"	15'-6"	17'-6"	21'-6"	25'-6"
		Weight (lbs.)	2396	2492	2588	2772	3212	3664
		Minimum Height	8'					
		Support Width (C)	6'-6"					
	14	Model Number	K90-8-14/10	K90-8-14/12	K90-8-14/14	K90-8-14/16	K90-8-14/20	K90-8-14/24
		Inside Span (A)	8'-6"	10'-6"	12'-6"	14'-6"	18'-6"	22'-6"
		Overall Length (B)	11'-6"	13'-6"	15'-6"	17'-6"	21'-6"	25'-6"
		Weight (lbs.)	2608	2704	2800	2984	3424	3876
Minimum Height		9'						
Support Width (C)		7'-6"						
16	Model Number	K90-8-16/10	K90-8-16/12	K90-8-16/14	K90-8-16/16	K90-8-16/20	K90-8-16/24	
	Inside Span (A)	8'-6"	10'-6"	12'-6"	14'-6"	18'-6"	22'-6"	
	Overall Length (B)	11'-6"	13'-6"	15'-6"	17'-6"	21'-6"	25'-6"	
	Weight (lbs.)	2823	2919	3015	3199	3640	4091	
	Minimum Height	11'						
	Support Width (C)	7'-6"						
Beam Height (in.)			18			16.43 - W		18.35 - W
Flange Width (in.)			6.0			7.12		7.59
Caster Diameter (in.)			12					

* Total weight of hoist and trolley not to exceed 20% of rated capacity.