

Standard Web Slings



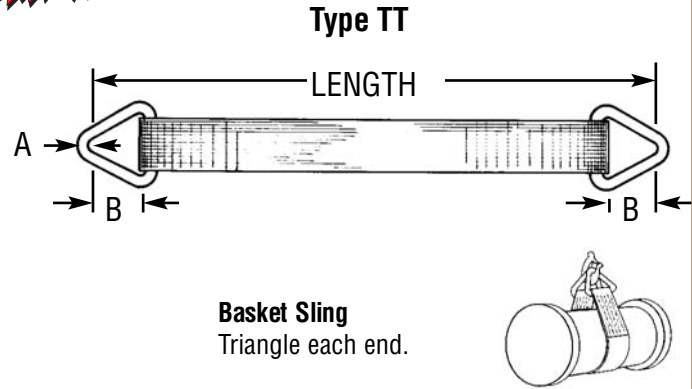
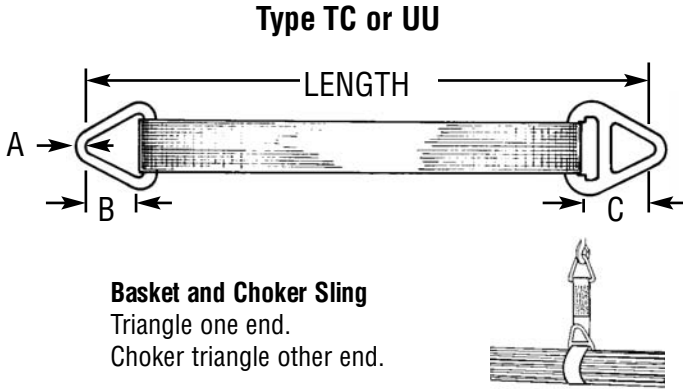
The Caldwell Group • 800-628-4263 • www.caldwellinc.com

Caldwell® Section
2011-2013 Master Catalog

Type I: Basket and Choker Slings



Type II: Basket Slings



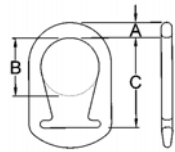
Unilink® Dimensions

End Fittings: Increase the life of web slings and fit on smaller crane hooks better than web eyes.

Standard Steel End Fittings: Plated, alloy steel end fittings are furnished on Type 1 or 2 slings.

Optional Aluminum End Fittings: Forged aluminum end fittings are available for single ply slings, widths 2" - 6".

Unilink® End Fittings: Functions as both triangle and choker.



NOTE: Chart below shows Model Number for Type I (TC) Slings. For Type II Slings, change TC to TT (triangle at each end).
Example: For Model No. 2TC-Q, change to 2TT-Q for a Type II Sling.

Sling Width Web (in.)	Min. Sling Length (ft.)	No. of Body Ply	Heavy Duty Nylon				Medium Duty Nylon				End Fitting Dimensions (inches)		
			Rated Capacity (lbs.) By Hitch			Model No. (specify length)	Rated Capacity (lbs.) By Hitch			Model No. (specify length)	Triangle		Choker
			Choker	Vertical	Basket		Choker	Vertical	Basket		A	B	
2	3	1	2500	3200	6400	2TC-Q	1900	2400	4800	2TC-N	5/8	1-3/4	5
	3	2	5000	6400	12800	D2TC-Q	3800	4800	9600	D2TC-N			
3	3	1	3800	4800	9600	3TC-Q	2900	3600	7200	3TC-N	3/4	2	6-1/4
	3	2	6900	8600	17200	D3TC-Q	5200	6500	13000	D3TC-N			
4	4	1	5000	6400	12800	4TC-Q	3800	4800	9600	4TC-N	13/16	2-3/8	7
	4	2	9200	11500	23000	D4TC-Q	6900	8600	17200	D4TC-N			
6	4	1	7700	9600	19200	6TC-Q	5800	7200	14400	6TC-N	1-1/16	3-1/8	9-1/2
	4	2	13400	16800	33600	D6TC-Q	10100	12600	25200	D6TC-N			
8	5	1	10200	12800	25600	8TC-Q	--	--	--	--	1-1/4	4	11-1/4
	5	2	17900	22400	44800	D8TC-Q	--	--	--	--			
10	5	1	12800	16000	32000	10TC-Q	--	--	--	--	1-7/16	5	12-7/8
	5	2	22400	28000	56000	D10TC-Q	--	--	--	--			
12	6	1	15400	19200	38400	12TC-Q	--	--	--	--	1-3/4	5-1/2	14-1/2
	6	2	26800	33600	67200	D12TC-Q	--	--	--	--			

Type UU Unilink® Hardware Slings

2	3	1	2500	3200	6400	2UU-Q	1900	2400	4800	2UU-N	11/16	2	3-11/16
	3	2	5000	6400	12800	D2UU-Q	3800	4800	9600	D2UU-N			
3	3	1	3800	4800	9600	3UU-Q	2900	3600	7200	3UU-N	7/8	3	5-1/16
	3	2	6900	8600	17200	D3UU-Q	5200	6500	13000	D3UU-N			
4	4	1	5000	6400	12800	4UU-Q	3800	4800	9600	4UU-N	1	4	6-3/16
	4	2	9200	11500	23000	D4UU-Q	6900	8600	17200	D4UU-N			